



**Lesen Sie diese
Bedienungsanleitung
und die angegebenen
Warnungen / Hinweise
genau durch,
bevor Sie diese Waffe in
die Hand nehmen.**



**Read the instructions and
warnings in this manual carefully
before using this weapon.**

HW 100

HW 100 FSB

***S
T***

| | |
|--|-------|
| Wichtige Hinweise | 2 |
| Wichtige Hinweise für den Umgang mit Pressluftkartuschen | 6 |
| Handhabung | 11 |
| Einstellung des Abzugs | 16 |
| Pflege | 17 |
| Garantie | 17 |
| Für Ihre Notizen | 32-33 |
| Laden des Magazins (Abb.) | 35 |
| Spannen des Systems (Abb.) | 35 |
| Laden (Abb.) | 36 |
| Sicherung (Abb.) | 37 |
| Einstellung des Abzugs (Abb.) | 37 |
| Zielen (Abb.) | 38 |
| Beschriftung der Pressluftkartusche (Abb.) | 38 |
| Begriffe (Abb.) | 39 |



| | |
|--|-------|
| Important Notes | 18 |
| Important Notes for the handling of compressed air cylinders | 21 |
| Operating Instructions | 26 |
| Adjustment of the trigger | 30 |
| Care | 31 |
| Guarantee | 31 |
| For your notes | 32-33 |
| Loading the magazine (pic.) | 35 |
| Cocking the action (pic.) | 35 |
| Loading (pic.) | 36 |
| Safety (pic.) | 37 |
| Adjustment of the trigger (pic.) | 37 |
| Aiming (pic.) | 38 |
| Inscription of the compressed air cylinder (pic.) | 38 |
| Terms (pic.) | 39 |

Wir gratulieren Ihnen zum Kauf Ihres Luftgewehres.

Weihrauch-Luftdruckwaffen sind millionenfach bewährt und sind aufgrund ihrer Präzision zuverlässige Sportwaffen. In ihrer Konstruktion entsprechen sie den hohen Anforderungen, die an moderne Luftdruckwaffen heute gestellt werden. Jede WEIHRAUCH-Luftdruckwaffe wird auf zehn Meter Entfernung mit Diabolokugeln genauestens eingeschossen. Wenn Sie diese Sport- und Übungswaffe sachgemäß handhaben und pflegen, so werden Sie viel Freude und Erfolg haben.

Beachten Sie die in **Ihrem** Land gültigen gesetzlichen Bestimmungen und sicherheitsrelevanten Erfordernisse für das Schießen mit Luftdruckwaffen. Es **müssen** alle gesetzlichen Vorgaben betreffend des Erwerbs, Besitzes und Umgangs eingehalten werden.

Luftdruckwaffen **müssen** mit dem gleichen Respekt behandelt werden wie „Feuerwaffen“. Falscher Gebrauch oder Missbrauch können zu ernsthaften Verletzungen oder sogar zum Tod führen.

We congratulate you on your new air rifle.

Chosen by discerning airgunners throughout the world, WEIHRAUCH air guns are renowned for their accuracy, power and precision manufacture. These airguns are designed to meet the high standard demanded by the shooter of today. More than any other manufacturer, WEIHRAUCH established that standard, and every airgun that leaves our factory carries the unmistakable WEIHRAUCH assurance of quality.

Every WEIHRAUCH air gun is test-sighted by our technicians at a range of 10 metres, with diablo (waisted) pellets. This test ensures the high accuracy potential of Weihrauch guns. Take care of your new WEIHRAUCH airgun and it will give you many years of shooting pleasure at the very highest level.

Always pay attention to the valid gun laws in **your** country and to the common safety rules. You **must** also follow all state and local laws about the purchase, ownership, and use of airguns.

Airguns **must** be treated with the same respect as you would with any firearm. Failure to use caution with your airgun may result in serious injury or even death.

Before handling any airgun, first thoroughly familiarize yourself with its functions and handling procedure by carefully reading the instruction manual. WEIHRAUCH strongly recommends that you join an airgun club or obtain instructions from a competent firearms instructor before using any gun. Be sure you understand these instructions and warnings before using this airgun. You must always follow the rules of safe airgun handling.

Make sure that this instruction manual is kept with the gun. It should accompany the gun if it is ever sold, loaned, given away or otherwise disposed of to any other person.

A copy of this manual is available free from Weihrauch, Postfach 20, 97634 Mellrichstadt or info@weihrauch-sport.de.

Should you still have problems with the safe usage and correct handling of your gun, or should you have additional questions, please do not hesitate to contact a competent gunsmith or dealer or address your enquiry to our factory directly.

The privilege of ownership and use of your rifle carry a personal responsibility that everyone should be aware of. Shooting accidents will not occur if the following rules of shooting safety are observed and followed.

WARNINGS!

Every time you handle any gun you should check to ensure it's not cocked or loaded. Never take somebody else's word that the gun is unloaded or in a safe condition.

Always check for yourself! Point the muzzle **always in a safe direction.**

- **Inspect the chamber to be sure it is empty and the barrel to be free of any obstruction.**

Always handle a gun as though it is loaded – whether it is or not.

Never, ever point a gun at a person – even if you know it to be unloaded – and never point a gun at anything that isn't a safe and legitimate target.

Never point an airgun at anything that could result in personal injury or, physical damage.

Always check yourself that a gun is **safe to handle.**

Always keep the muzzle pointed in a **safe direction.**

Always be aware of others around you, especially when shooting in company or when taking part in shooting events.



Keep guns away from children!

Always store guns and ammunition in separate locked cabinets and beyond the reach of children. Store your gun unloaded. Safe and secure storage of guns and ammunition is one of your **most important** responsibilities. For the safe storage of your gun even in locked cabinet or safe the use of an additional triggerlock is recommended. Children are attracted to and can operate guns that can cause severe injuries or death. Prevent child access by always keeping guns locked away and unloaded when not in use.

Always check to see that the gun is unloaded when removed from storage or received from another person.

Treat every gun as if it were loaded, even after you have personally checked it.....all the time.

Never pass your gun to another person until you have personally checked, that your gun is unloaded and uncocked.

Do not allow a gun to be used by individuals who do not understand its safe operation and the rules of safe gun-handling.

Hold and carry your gun so that it always aims in a **safe** direction. Keep the muzzle always pointed into a **safe** backstop.

Never forget that even the safest gun can be dangerous if not handled correctly.

Never rely on a gun's safety-catch to protect you from unsafe gun handling. A safety-catch is only a mechanical device, and never a substitute for safe gun-handling.

Keep your gun unloaded when not in use.

Be certain the gun is uncocked and unloaded before cleaning.

Always uncock and unload your gun **fully** before entering a house, car, truck, boat, RV, camp or any building or vehicle.

Never leave your gun unattended.

Never pull a gun towards you by the muzzle.

Don't climb a tree or cross a fence or ditch with a cocked or loaded gun. Always unload the gun beforehand!

Make sure that you can control the direction of the muzzle if you stumble or fall.

Never load an airgun until you are ready to shoot.

Load and unload the gun only with the muzzle pointed in a **safe** direction.

When a gun is passed to you, always immediately open the action and check to see whether it is uncocked and unloaded.

Never put your hand over the muzzle of a gun.

Always keep the airgun "**on safe**" until you are ready to shoot.

Keep your fingers **away** from the trigger until you are actually aiming at the target and you are ready to shoot.

Select safe and proper targets.

Always use a safe and reliable backstop to catch your pellets and inspect your backstop before you shoot.

Make sure there is no person, livestock, buildings or other objects in the vicinity of your target and that your shooting range is safe – before shooting.

Think carefully about your shooting area before you shoot. Ask yourself what your pellet will hit if it misses, ricochets or penetrates the target.

Always place your backstop in a location that will be safe should the backstop fail.

Use only targets and backstops which your projectiles cannot penetrate.

Never shoot at wood, rubber, glass, water or any other surface likely to cause ricochets or rebounds.

If projectile rebound or ricochet is noted, stop shooting immediately and replace backstop.

Never shoot at skyline target or into the air.

CAUTION: Your backstop should be inspected for wear before and after each use. Discontinue use if the backstop surface shows signs of failure. Since backstop surfaces eventually fail, always place the backstop in a location that will be safe, should the backstop fail. Discontinue the use of a backstop if the projectile rebounds or ricochets.

Guns and alcohol or drugs don't mix. Don't take them either before or during shooting activities.

Never use force when using, stripping or assembling the airgun.

Always use ear protectors and shooting/safety glasses whilst shooting.

Never put a gun away loaded or with the action cocked.

Never leave a loaded gun unattended, even if the safety-catch has been applied.

Modification of the gun mechanism may cause a gun to malfunction and tampering with a gun may make it unsafe to use.

Any change in the performance, such as lowered trigger force and shortened trigger travel, indicates possible wear and such guns should be inspected, replaced, or properly repaired. Repairs should only be made by qualified personnel.

Always have the gun checked by qualified personnel, if any gun has been dropped to ensure that its function has not been affected.

Modifying this gun may result in a change of its classification under your gun/weapon law. Therefore this is prohibited and will immediately void our warranty.

If your gun becomes corroded or suffers external damage from e.g. dropping, always take it to a qualified gunsmith for inspection before using it again. Incorrect handling and lack of maintenance will impair the function and safety of the airgun. It must always be kept clean and its barrel checked frequently for obstructions.

Alterations and all work to the gun must only be done by an authorized gunsmith. Make sure that only original Weihrauch spare parts are used.

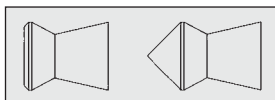
Warranty Claims: the manufacturers of this airgun are exonerated from all liability for claims resulting from unauthorized tampering with any mechanism, damage caused by using force, or modifications made by third parties.

We produce air guns in the following calibers:

4,5 mm/.177"

5,0 mm/.20"

5,5 mm/.22"



We recommend to use only high quality Diabolo/waisted pellets in your air gun, and do not use steel darts, -bolts, -balls or similar projectiles.

Use only ammunition/pellets that has/have been approved for this gun.



WARNING: The use of incorrect projectiles may not be safe. Do not use damaged pellets. Never reuse pellets once shot. Use only ammunition/pellets that has/have been approved for this gun.

Check pellets to make sure they are of the **correct type and caliber**. The correct caliber is marked on your gun. Many pellet-types appear similar. Make sure you do not use wrong size pellets in your gun.

Avoid unnecessary dry firing (firing without a pellet) in order to prevent wear or breaking of parts.

Spectators should be at least **3 metres (10 feet)** behind and away from the shooter whilst loading, firing and unloading. **Always** be aware of your shooting area and ensure that persons cannot accidentally walk into the line of fire. Younger or inexperienced shooters must shoot **only under surveillance** of a competent person. Be sure all spectators **always** wear protective eyewear and ear protectors.

Always use shooting/safety glasses when handling or shooting your air gun. Normal optical reading glasses will not give you the desired and necessary protection.

Shooting is only permitted within one's own home, on officially approved shooting ranges and on enclosed private property where there is no risk for projectiles leaving the premises. Keep the danger area of the projectile/pellet in mind.

Load the gun **only** when on the range preparing to fire, and unload it before leaving the range.

Always transport or carry a gun unloaded and uncocked.

Always use a gun case or a proper slip with safety flap or strap for the transport of your gun – **never** anything else.

Don't adjust your gun's trigger pull unless you are fully-confident that you can do so with complete safety. Remember, alterations of trigger pull usually affect sear engagement and may cause accidental firing. If you are not confident with trigger adjustment, always consult a specialist gunsmith.

Important: Always pay attention to valid laws on the protection of animals and on hunting purposes in your country!

Most birds are completely protected by law. It is sometimes thought that those birds which are often called 'vermin' can be killed at any time by anyone. This is not so. Birds which are regarded as pests (sparrows, starling ect.) may only be killed by what the law refers to as 'an authorized person'. Thus, anybody who shoots at birds in a public place, will commit offences against the Firearms Act for having an airgun in a public place, and also against the Protection of Wild Birds Act for killing, or even trying to kill, a wild bird, when not an 'authorized person'.

We do not provide a warranty against injury or damage caused by misuse of the air-gun.

The manufacturer does not assume any responsibility for any damage that might arise from modifying parts, the use of parts which are not original manufacturer parts or the non-observance of the manual.

WARNING: The actual gun/firing system does not contain any lead; however it does fire ammunition containing lead or lead compounds known to the State of California to cause cancer, birth defects and/or reproductive toxicity. Those who discharge a gun or firearm, stand near someone who discharges a gun/firearm or cleans guns/firearms, are hereby warned of the dangers presented by lead and lead compounds and should take protective health measures. Avoid exposure to lead while handling and wash your hands after contact. Proper air ventilation is necessary when shooting indoors.

If you have any questions referring to this gun and to gun handling, please contact us. We would be glad to give you further advice.

Important notes for the handling of compressed air cylinders:

According to legal regulations, we only deliver unfilled compressed air cylinders. If you are sending your rifle with the air cylinders, or the air cylinders separately, through a parcel service/transport company, or

by air the **air cylinder/s MUST always be empty/unfilled** (see "Emptying The Air Cylinder" p. 30).

The maximum filling pressure for the mod. HW 100 is 2900,76 p.s.i. at 15 C. You must not charge the rifle's compressed air cylinder beyond this limit.

The air used to charge the cylinder must be divers' quality air, which is dry and free of any dust (DIN EN 12021). Use only compressed air from a specialist filling service, this means air that is suitable for diving.

Improper use, filling, storing or other handling of a compressed air cylinder can cause serious injury or even death.

Filled air cylinders must not be exposed to temperatures above 50 ° C or under – 20 ° C. Therefore, make sure during transport (i.e. in case of hot temperatures in a car) or storage, that the rifle and especially the air cylinder/s remain protected and isolated against heat and cold by storing them in a Styrofoam packing or by using a gun case.

Store the air cylinders and the charging and emptying adaptors in safe, dry, grease and dust-free place. Always screw the dustcover cap onto the thread of the air cylinder.

Dust and grit inside your airgun can cause total system failure by rendering the internal valves incapable of providing a proper air-seal. Make sure you keep dirt and grit away from your rifle's air-charging equipment and connectors.

According to regulations, you must not use the air cylinder longer than 10 years. After 10 years from the manufacturing date the air cylinder **must not be used** any further, **must be emptied** (see "Emptying The Air Cylinder" p. 30) **and sent back to the manufacturer for checking against extra charge.** Please note the date of your rifle's manufacture, or check the date inscribed on the rifle's air cylinder. (see "Inscription of the compressed air cylinder", p. 38). Relevant laws of your country should be followed as well.

Protect air cylinders from the effects of external force, i.e. falling.

An air cylinder that is leaking, damaged or more than 10 years old cannot be used or even filled. It must be emptied immediately (see "Emptying The Air Cylinder" p. 30) after which it must be exchanged and placed out of use. The manufacturing date is marked on the air cylinder. **Always** take care of your air cylinder and check it **regularly** for damages and cracks. If you find damages, cracks or similar destructions you have to empty it **immediately** and send back the air cartridge to us.

Never oil the connecting threads and valves of your rifle's air cylinder and **always** protect the thread and inlet valve with the dustcover cap provided. – **Danger of explosion –.**

Never attempt to engrave, stamp, dismantle or to make mechanical modifications to any air cylinder. Only the manufacturer may dismantle or open the valves and manometer (pressure gauge).

Attention: You are only allowed to use Original-Weihrach-air cartridges 2900,76 p.s.i.. Repairs can only be made by the manufacturer using Original spare parts. The heads/end plugs of the air cartridge may never be unscrewed. Otherwise the manufacturer is exonerated from any liability and guarantee.

The rifle's air cylinder is equipped with a manometer/pressure gauge. Check the pressure reading only when the magazine has been removed from the rifle and the rifle is unloaded and uncocked (see "Unloading", p. 29). Due to its design, the manometer/gauge works with an accuracy of +/-3%. Temperature variations can also impair the accuracy of the gauge/manometer.

Only depressurized air cylinders may be transported in aircraft (see "Emptying The Air Cylinder" p.30).

The HW 100 is always dispatched with its air cylinder unattached to the rifle and empty/unfilled according to legal prescriptions. Screw off the dustcover cap and fill the air cylinder before use of the gun (see "Filling Of The Air Cylinder", p. 26).

– **To attach the air cylinder to the rifle:** Making sure the rifle is **uncocked** and **unloaded** and the magazine outside the system, simply slide the air cylinder, threaded connector first, carefully into the

recess between the stock and the barrel until the threaded connector locates the rifle's adaptor. Using minimal tension, rotate the cylinder clockwise to engage the connecting threads. If immediate resistance is felt, 'cross-threading' of the adaptor/connector could have taken place. **Do not continue** to attach the cylinder or use any force to overcome this resistance. **Instead**, reverse the rotation (anti-clockwise) until the cylinder is free of the connector and re-connect, making sure the cylinder is parallel to the rifle's barrel as rotation commences.

Shortly before the cylinder's connector reaches the end of adaptor's thread, the rifle's air-inlet valve opens automatically and an increase in resistance will be felt. Continue to screw in the air cylinder by hand until it is fully connected. Full connection is essential, otherwise air-leakage will occur.

For safety reasons (without inside pressure no pellet can be fired) always unscrew the air cylinder, attach its dustcover cap and store it securely after a shooting session, or during transportation. This also protects and releases the pressure from housing, valves, springs and seals.

During all cylinder fitting/removal procedures, **always keep the muzzle pointed in a safe direction!**

In addition to the above notes, always strictly observe the rules of safe gun-handling, instructions for the filling of the air cylinder and the relevant laws of your country.

Air cartridges must not be used for the transportation of or the charging with any gas!

Operator control! The shooter and the owner is / are responsible to keep and follow all rules, notes and regulations, which are also part of the manual.

- **Additional special warnings and notices on our pcp-airguns mod. HW 100**

WARNING: Do not attempt to operate our pre-charged pneumatic (pcp)-airguns at low power (see "Filling of the air cylinder"). An insufficient force may cause a stuck pellet and a jammed barrel or lead a person to believe the airgun is unloaded – a potentially dangerous situation. Check to see if the barrel is clear.

To clear a jammed barrel: DO NOT load in another projectile! Use an **empty** magazine, cock, aim, and fire the airgun in a safe direction. If that does not clear the barrel, open the cocking lever, take out the magazine and use a proper size cleaning rod to push the stuck projectile from the muzzle end out of the barrel. Attention: Do not hurt the rifling!

DO NOT LEAVE THE AIRGUN LOADED: Always check every airgun to see if it is loaded every time you handle it. Always assume your airgun is loaded . . . any time.

WARNING: Internal lubrication of PCP's or their components can result in an explosive effect due to their high operating pressures. Any questions, call Weihrauch.

AIR INJECTION WARNING: NEVER allow a finger, or any other part of your body/anatomy to be over the muzzle of the airgun or any point of the air cartridges/air cylinders, or filling devices/charging units, where compressed air is or could be released. High pressure air alone can penetrate your skin or clothing with serious medical implications! If air penetration occurs, seek emergency medical attention immediately.

WARNING: The air cartridges/cylinders or reservoirs of precharged pneumatic (pcp)-airguns may become dangerously overheated if incorrectly filled or lubricated. Oiling or spraying the airgun associated mechanism and filler devices/charging units with lubricants, or other materials, can cause contamination to find its way into the air cartridges/cylinders or air reservoirs. The use of industrial compressors to charge the air cartridges/cylinders or reservoirs can result in contamination with oil and/or dust particles. They must be equipped with appropriate filters. Oil and dust-free, pure, clean, dry diving-grade air (DIN EN 12021) should **only** be used in the mod. HW 100. No other gas or gas mixture other than compressed air should ever be used. The use of a hand pump with our pcp-airguns will cause damage to air cartridges/cylinders from excess moisture allowed into cylinder. Damages

caused by improper filling, excessive pressure, or lubrication to these airguns, or their associated filling devices/charging units, will not be covered by any service contract or policy and is not subject to any declared or implied warranty. Neither Weihrauch nor any of its employees or importers or dealers will be responsible or liable for such damages, or injury to property or persons. It is easy to be safe, if you pay attention to the cautions of this booklet and especially to the manual with the 3 languages, ref. to the particular model HW 100.

WARNING: The mod. HW 100 is equipped with a removable air cartridge/cylinder system.

- **According to regulations, you must not use the air cylinder/cartridge longer than 10 years.** After 10 years from the manufacturing date the air cylinder/cartridge **must not be used** any further, **must be emptied** (see "Emptying The Air Cylinder" p. 30) **and sent back to the manufacturer for checking against extra charge.** Please note the date of your rifle's manufacture, or check the date inscribed on the rifle's air cylinder/cartridge. (see "Inscription of the compressed air cylinder", p. 38). Relevant laws of your country should be followed as well.
- Protect air cylinders/cartridges from the effects of external force, i.e. falling.
- An air cylinder/cartridge that is leaking, damaged or more than 10 years old cannot be used or even filled. It must be emptied immediately (see "Emptying The Air Cylinder" p. 30) after which it must be exchanged and placed out of use. The manufacturing date is marked on the air cylinder/cartridge. **Always** take care of your air cylinder/cartridge and check it **regularly** for damages and cracks. If you find damages, cracks or similar destructions you have to empty it **immediately** and send back the air cylinder/cartridge to us.
- **Never** oil the connecting threads and valves of your rifle's air cylinder/cartridge and **always** protect the thread and inlet valve with the dustcover cap provided. – **Danger of explosion –.**
- **Never** attempt to engrave, stamp, dismantle or to make mechanical modifications to any air cylinder/cartridge. **Only** the manufacturer may dismantle or open the valves and manometer/pressure gauge.
- **Attention: You are only allowed to use Original-Weihrauch-air cylinders/cartridges (max. 200 bar) 2900,76 p.s.i.. Repairs can only be made by the manufacturer using Original spare parts. Otherwise the manufacturer is exonerated from any liability and guarantee.**
- Improper use, filling, storage or disposal of such air cartridges/cylinders may result in personal injury, property damage, and even death.
- Do not alter such air cartridges/cylinders in any way.
- Always replace the dust cover cap when the air cartridge/cylinder is taken out.
- Do not over pressurize. The maximum filling pressure is 2900,76 p.s.i.. You must not charge the rifle's compressed air cylinder/cartridge beyond this limit!
- Do not expose pressurized cylinders/cartridges to temperatures in excess of 50 ° C (122° F) or below – 20 ° C (–4 ° F). Filling rapidly WILL RUIN VALVES AND SEALS! Filling MUST take at least one minute!
- Air cartridges/cylinders exposed to a fire or heated must be hydrostatically tested prior to filling.
- Do not use caustic cleaners.
- Keep the air cartridge/cylinder out of reach of children and in a safe position.
- Master cylinders must be filled only by properly trained personnel in accordance with CGA Pamphlets P.1 and G-6.3, available from the Compressed Gas Association, 4221 Walney Road, 5th Floor, Chantilly VA 20151-2923. If you are not trained, you should use established certified SCUBA cylinder filling stations.

For further advice contact your airgun dealer or Weihrauch.

WARNING: CHARGE SLOWLY! All storage cylinders, removable air cartridges/cylinders, and large master cylinders should all be filled very slowly! The whole process should take at least a minute. Rapid filling will burn the seals. Such damage is due only to overly rapid filling and is not covered by any warranty, repair policy, or service contracts.

NOTES: To maintain the valves of pcp-airguns in the best possible condition, it is recommended that some air pressure is maintained in the air cartridge/cylinder, even when the airgun is not being used. This will reduce the possibility of dirt or dust entering the air cartridge/cylinder and affecting the valve operation and will help to maintain the proper shape of the seals. Make sure that charged airguns are left unloaded and very secure and locked away from use by unauthorized persons or those not familiar with the safe use of such airguns as pcp, especially children.

CAUTION: DO NOT USE OILS OR SOLVENTS INTENDED FOR FIREARMS OR OTHER DEVICES IN ANY PCP-AIRGUN! TO DO SO CAN CAUSE SEVERE DETONATION RESULTING IN POSSIBLE DAMAGE TO THE AIRGUN AND INJURY TO THE SHOOTER AND SPECTATORS/BYSTANDERS!

Only special lubricants specifically designed for pcp-airguns should be used. These are sophisticated oils specially formulated for this purpose. Of the hundreds of oils available, only a few have the proper viscosity, lubricity, lack of acids for use in fine quality pcp-airguns. Incorrect lubes can be dangerous.

Special recommendations

The Weihrauch Team recommends to follow these steps for good and improved results:

- „Do not“ bench rest on ANY solid object! Rest your hand on the hard surface and place the air-gun in your hand. Even better, buy an inexpensive sand bag and fill it with sand.
- Rest the forend of the stock on the sand bag, „**never**“ the barrel / cocking barrel.
- Scopes should **always** be mounted 2.75” to 3” (5,5 to 7,5 cm) away from your eye.
- **Squeeze** the trigger, don't jerk or pull it.
- After squeezing the trigger, stay on target for a couple of seconds. Follow through is **very critical!**
- Remember each air gun is an individual and has its own characteristics. To achieve the best performance, you should try a selection of pellets to see which pellet shoots the best in your airgun.
- Different pellets will produce different results. We recommend to use only Diabolo / waisted pellets of good quality and heavier in weight.
- **Your air gun, your pellet, and your sight/scope don't know where the target is. It's up to you to point it straight.**
- **Read and follow all the instructions and warnings given in this air gun manual.**

Always think: You have a gun and not a toy in your hands, for which you are fully responsible.

Misuse or careless use may cause serious injury or death.

This gun may only be operated by or under the supervision of a responsible and experienced adult. Pay attention to the valid gun laws in your country.

Always point the gun in safe direction.

Shooting is only permitted within one's own home, on officially approved shooting ranges and on enclosed private property where there is no risk for projectiles leaving the premises. Keep the danger area of the projectile/pellet in mind.

Do **not use force** when using the gun, especially during cocking and closing operations.

During the cocking, loading and closing operation **no** finger, clothing or other objects should be close or near trigger and safety catch.

Be alert for any change in the operation of your rifle which might affect its safety. If you suspect a defect or malfunction, immediately stop shooting, unload the rifle and send it to an authorized gunsmith or back to the manufacturer.

– Filling of the air cylinder

With the accessories of the HW 100 you have received a quick fill adapter with thread G 1/8" (see pic. 1, no. 3).

Your rifle is equipped with an interchangeable and refillable air cylinder with the Weihrauch quick-fill system. Before you intend to do anything relating to the air cylinder, always make sure that the magazine has been removed from the rifle and the rifle is unloaded and uncocked (see "Unloading", p. 29).

There exist two ways to charge the air cylinder

- Charging/filling of the served-in air cylinder with the quick-fill system
- Charging/filling of the unscrewed air cylinder with the 200 bar adaptor or with the quick-fill adaptor

- Charging/filling with the quick-fill system:

With the accessories of the HW 100 you have received a quick-fill adaptor with a thread G 1/8" (see pic.1, Nr. 3 on page 34)

Your charging equipment has to include an integral valve, gauge, pressure reducer (if necessary), screw bleed and hose with G 1/8" thread – female end (see pic. 1, no. 2, 4, 5, 1).

- Always check first, that the rifle is not cocked and/or loaded. The magazine must be taken out of the rifle.

- Place your HW 100 safely on a soft cover on the ground near the charging equipment.

- Screw in the quick fill adapter into the hose (see pic. 2).

- Pull out the quick fill plug (see pic. 3).

- Now push in the quick fill adapter totally (see pic. 4).

The bleed screw of the charging system must be closed.

- Slowly open the main valve of the charging system. A rapid opening of the valve could damage the cylinder's valve and/or seals.

- When the pressure reading on the cylinder's gauge reaches 200 (2900,76 p.s.i.) bar, close off the main valve.

- Open the bleed screw of the charging system and close it again, when there is no further air escaping. (Do **never** pull out the quick fill adapter under pressure. **Always** use the bleed screw **first**).



- Pull out the quick fill adapter and push in the quick fill plug. It prevents the system from dirt (see pic. 5).
- **Attention: The system is now under pressure!**
- **Important: Check the gauge of the air cartridge. The maximum filling pressure must not exceed 200 bar (2900,76 p.s.i.).**
 - Charging/filling with the 200 bar adaptor with the accessories of your HW 100:
You have received a 200 bar-adaptor. This part has an inner thread for the air cylinder (see pic. “adaptor” on page 39) and an outer thread for the charging system.
Your charging equipment has to include an integral valve, gauge, pressure reducer (if necessary), bleed screw and a hose (see pic. 1 page 34)

The air cylinder can be exchanged empty or partly filled. Always use the the dustcover cap to protect the thread form dust and/or damage.

The maximum filling pressure is 2900,76 p.s.i. The compressed air used to charge the cylinder must be dry, clean, and filtered. Use only compressed air that is free of oil and water; this means divers' quality air **only** (DIN EN 12021)! We recommend the usage of diver bottles. Make certain that your charging specialist supplies **this** kind of compressed air before your cylinder/air tank is filled. **Never** use any other gas, particularly industrial or welding gases such as oxygen, carbon, dioxide, acetylene, hydrogen, argon etc., or any addition of lubricants/additives (as e.g. petroleum based).

Three filling systems are currently available on the market:

- compressed air pumps
- compressors
- compressed air bottles

When using charging equipment with a filling pressure of 300 bar (4185 p.s.i.), a pressure reducer **must be used** which has to be set to 200 bar (2900,76 p.s.i.).

For safety reasons, air cylinders must not be filled, used or stored with more than 200 bar (2900,76 p.s.i.) at room temperature. Always pay attention to the notes for filling an air cylinder and to the corresponding Technical Rules of your country. If you have filled the air cylinder over 2900,76 p.s.i., you immediately have to empty it on or below the max. filling pressure. **Failure to follow this procedure may result in personal damage or even death.**

Before starting the filling procedure always check all components (bottles, adapters, air cartridges, hoses . . .) for damages e.g. threads. Make sure that nobody is **in front of** the muzzle or the gauge. Pay attention that the threads are **always** free of oil and dust.

To remove the cylinder from the rifle, simply unscrew it (rotate cylinder in an anti-clockwise direction) from the rifle and carefully slide it out from its recess. No spanners, wrenches or use of undue force is required. Care during the removal/installation of the cylinder will avoid any damage or wear to the cylinder and the rifle.

- Use only the supplied adaptor for the filling operation (see pic. p. 39). First screw this adaptor onto the relating thread of the charging system, e.g. the DIN fitting of a compressed air tank or the adaptor of the air pump. Note: a spanner/wrench may be used to securely fit the adaptor and ensure an airtight seal. **Do not use a spanner/wrench during any other part of the charging, fitting or removal of the rifle's cylinder.**
- Manually screw the air cylinder completely and securely onto the adapter thread, ensuring that no cross-threading takes place.
- Slowly open the main valve of the charging system, or begin pumping if a manual pump is used. Note: The rapid opening of the valve on a compressed air tank could damage the cylinder's valve

and/or seals. Do not touch the air cylinder during the charging operation.

- When the pressure reading on the cylinder's manometer reaches 2900,76 p.s.i., close off the air tank's main valve or stop pumping if a manual pump is used. **Do not charge beyond a pressure of 200 bar (2900,76 p.s.i.).** The air cartridge has now become slightly warmer.
- Next, manually unscrew the air cylinder. This will also 'bleed' the system of captive, compressed air, which vents safely to atmosphere via a small hole in the adaptor. **Do not cover this hole with your hand during the removal of the cylinder.** During the initial unscrewing of the cylinder, you will require a little more tension than it took to attach it. This is normal.

Important: Check the gauge of the air cylinder. It may not exceed 200 bar (2900,76 p.s.i.).

- **To attach the air cylinder to the rifle:**

The air cylinder can now be screwed onto the rifle (see previous instruction "To attach the air cylinder to the rifle", p. 22). The air rifle is now fitted with a filled air cylinder. You can now insert the pellet magazine (see "Loading" and "Inserting The Magazine", p. 28)

- **Reading the gauge**

As the stored air inside the cylinder is used by firing the rifle, the manometer's indicator will move into the yellow segment of the gauge, indicating that the cylinder must be re-filled with air.

Note: Once the rifle has reached its designed low-pressure level (the yellow area on the manometer) continued firing will lead to a major malfunction due to the rifle containing insufficient air-pressure to shoot the pellets through the barrel. The manufacturers do not accept any liability for repairs to rifles that malfunction due to this misuse. Improper handling or disassembly can cause personal injury or damage to the gun.

Further notes:

Check the level of the manometer only when the magazine is removed and the rifle unloaded and uncocked (see "Unloading", p. 29)

The air cylinder can be unscrewed and/or replaced at any time, even if it is not empty.

If you unscrew the air cylinder you will hear a small amount of air escaping from the non-return valve. If the air cylinder is unscrewed completely, the system is without pressure.

After unscrewing the air cylinder screw on the dustcover cap onto the thread. **Never oil the threads or valves of the air cylinder.**

If the air cylinder is damaged and/or leaking, **it must not be used.** It must be emptied immediately (see "Emptying The Air Cylinder", p. 30).

– **Loading the magazine**

Your air rifle is equipped with a 14-shot magazine.

Use only Diabolo/waisted pellets and do **not** use steel darts, -bolts, balls, or similar projectiles. Do not use damaged pellets. Check the specification on the right-hand side of your rifle's housing (after the pellet symbols) for the right calibre.

Place the magazine in your left hand, making sure that its 'smoothest' face is downward, and insert the diabolo pellets, one-by-one in the openings/chambers (see pic. "Loading The Magazine", p. 35).

Make sure the pellets fit flush in the magazine and do not protrude.

Pay attention that the diabolo pellets are in perfect shape and not damaged.

Watch out for the index marking (line) on the outer area of the magazine.

– **Cocking the action**

Pull the cocking lever out of the resting/closing position and draw it fully to the rear (see pic. "Cocking the Action" p. 35). The rifle's action is now pre-cocked and the safety-catch should **now** be applied.

– **Safety**

The rifle's safety-catch can only be used when the action is cocked. The rifle is set on 'safe' when the white mark is visible and the red mark covered (see pic. "Safety", p. 37).

Put the safety on immediately! Push the safety lever backwards.

Pay attention that the safety-catch is fully in the 'safe' position - never in-between. Always keep the safety-catch in full 'safe' position until you're ready to fire.

– **Inserting the magazine (see pic. "Loading" p. 36)**

- Push the magazine securing slide to the rear.
- The loaded magazine can now be inserted from the right-hand side, with its smoothest side forward, ensuring that the magazine is fully engaged in the housing slot.
- Push the magazine securing slide fully forward. You may need to slightly rotate the magazine to align it correctly.
- Return the cocking lever to the closed position. With this movement, the first pellet is inserted into the breech and the rifle is loaded.
- The rifle is ready to fire when the safety-catch is disengaged.

If you are ready to shoot, with the rifle pointed into a safe direction or toward your checked backstop, push the lever forward (red mark visible/see pic. "Safety", p. 37).

If, after the first shot, you do not intend to shoot further, you must **immediately** unload the rifle and remove the pellet magazine.

– **Reloading/Repeating**

If, after the first shot, you intend to shoot further, you now have to prepare for the next shot.

Pull the cocking lever out of the closing position and move it fully to the rear. The system is now cocked and the magazine rotates to the next chamber.

Return the cocking lever to the closed position. With this movement the next pellet is inserted into the breech. Note: inadvertent, repeated use of the cocking lever, without firing the rifle, will not load multiple pellets in the breech.

– **Changing the magazine**

When you have shot 14 times and the magazine is now empty, move the cocking lever to its rearward position and apply the safety-catch. Push the magazine securing slide to the rear and take out the magazine from the right-hand side.

A new/filled magazine can now be inserted according to the instructions previously stated.

– **Unloading**

If you do not intend to shoot your gun should always be unloaded and uncocked **for safety reasons**.

- It is only possible to remove the pellet in the barrel by firing which should only be done by firing the pellet into a bullet trap or safe backstop. Always fully observe the safety regulations when you unload your rifle.
- To ensure your rifle is fully unloaded, now after this last shot, first unscrew the air cylinder and put the dustcover cap over the thread. Put the air cylinder in a safe place.
- Now pull the cocking lever out of the closing position and draw it fully to the rear. Push the magazine securing slide to the rear and take out the magazine from the right-hand side.
- Push the magazine securing slide forward. Push forward the cocking lever to the closed position.
- Fire the rifle into a safe backstop.

The rifle is now uncocked and its valve, barrel and air chamber are empty.

It is very important that you strictly follow these steps in their entirety to totally unload your gun and make it safe.

– Emptying the cylinder

Your rifle is supplied with an air-venting tap part no. 2706 k (see pic. p. 39). If the air-venting tap is missing, you can buy one through your local gun dealer or directly from us.

If the air cylinder was filled about 20 times or you do not use the air rifle for more than 4 weeks, the air cartridge has to be emptied to get out the condense water.

- First unload your air rifle (see "Unloading" p. 29)
- Make sure that **nobody is in front of the muzzle and the gauge.**
- Unscrew the air cylinder and take it out of the system (see „Filling of the air cylinder“, p. 26).
- To empty the rifle's cylinder of compressed air, simply screw the air-venting tap slowly and fully onto the threaded adaptor of the cylinder until the air in the cylinder can be heard venting to atmosphere. The cylinder may require several minutes in which to vent its air supply completely and should be placed in a secure location until empty – i.e. the manometer shows a '0' pressure reading and no air can be heard escaping the air-venting tap.
- Finally, unscrew the air-venting tap and fit the cylinder's dust cover cap before transport of the cylinder.

Your Rifle's Trigger

Your air rifle is equipped with a proven, precision match trigger.

We recommend that you leave the trigger settings as they come from our factory or take it to a qualified airgunsmith for adjustment. Improper adjustments can make the airgun unsafe.

Warning: Modification of the trigger mechanism may cause malfunction. Tampering with any part of this airgun may make it unsafe to use and will negate the warranty.

For adjustment of the trigger see p. 37.





Always check that the gun is unloaded and uncocked **before** you start to clean or maintain your airgun.

A gun does not work properly is dangerous. Do-it-yourself repairs are difficult.

Never dismantle the air rifle or **never** do a repair on the action yourself. **Only a skilled gunsmith** may dismantle or work on it. Improper handling, disassembly or assembly can lead to dangerous malfunctions, can cause personal injury or damage to the gun. In case of functional failure it is necessary to have the air gun checked and repaired by a specialist, or return it to the manufacturer. Use only original Weihrauch spare parts.

For shipping the air cylinder has **to be empty / unfilled** (see "Emptying The Air Cylinder", p. 30).

Clean your air gun regularly: After use and before longer storage, all metal parts should be lubricated with a specialist gun oil to prevent rust and to keep your airgun in good condition. The lubrication of your system was already applied during assembly.

The stock can be treated with sparing amounts of suitable stock oil, applied via a soft, lint-free cloth. A fouled barrel affects accuracy and performance. The barrel's bore should be cleaned by means of a felt wad, a cleaning cloth or felt cleaning pellets. Use only slightly oiled and fluff-free cleaning equipment. There are special cleaning equipments for air guns available at your local gun shop. Do not use wire brushes or steel-tipped cleaning rods. These could seriously damage the rifling. Pull the cords **only** from the chamber to the muzzle through the barrel.

Be careful not to over lubricate. Please use **only** resin and acid-free oils.

In extreme cold first warm the gun up to room temperature before using it.

Important notice: Please ensure your gun is always placed in a plastic sleeve before packing it in a foam lined gun case. The foam lining in a case may react with any of the metal surfaces on this airgun.



WARNING: Lead or lead compounds are known to the State of California to cause cancer, birth defects and/or reproductive toxicity. Those who clean arms should take protective measures to avoid contact exposure to such chemicals.

Every WEIHRAUCH arm is guaranteed on the usual conditions according to the law.

Sophisticated designs and precision manufacture ensure long product life and reliable function.

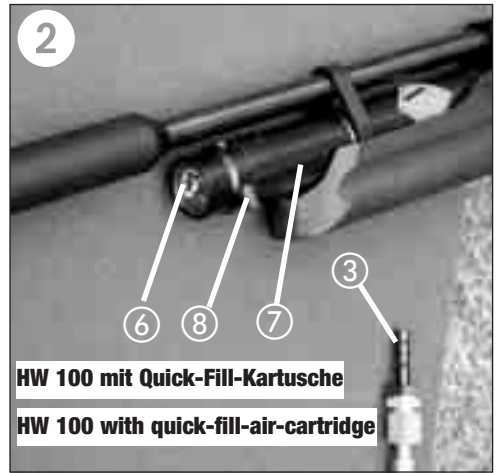
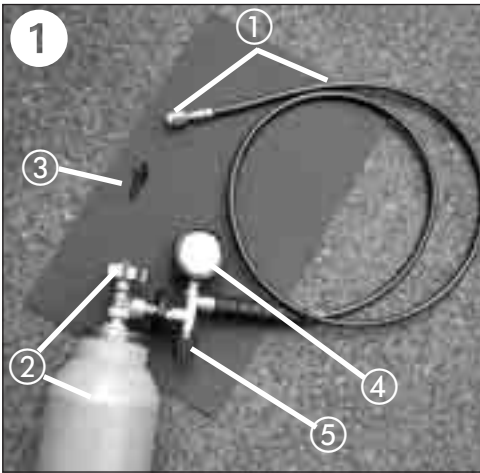
Damage due to improper handling or normal wear and tear, including damage to spring and seals are, of course, excluded from the manufacturer's guarantee. This also includes usage of unsuitable ammunition.

The warranty will not be accepted, if changes or repair work have been carried out by persons who are not authorized by the manufacturers or their official agents.

Under the terms of our warranty we substitute any defective parts free of charge.

All Weihrauch products are subject to technical changes and improvements without prior notice.

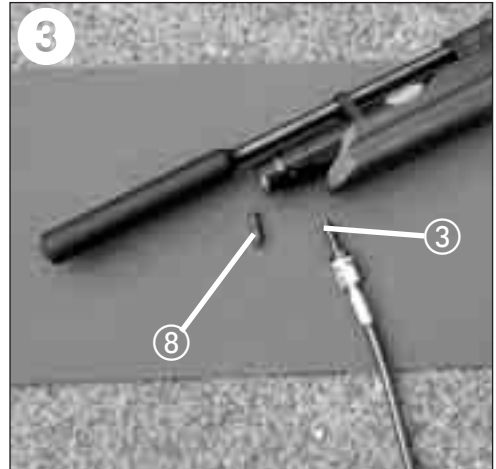
Air guns manufactured by us are delivered according to the regulations of the "Physikalisch-Technische Bundesanstalt (PTB)", the German Federal Laws as e.g. Gun- and Prooflaw, and as well to our special technical knowhow. We will not assume any liability whatsoever if this product is exported to countries outside Germany and as a consequence does not comply with the legal requirements of these territories. It will be the sole responsibility of the importer to ensure the compliance with the domestic laws and regulations.



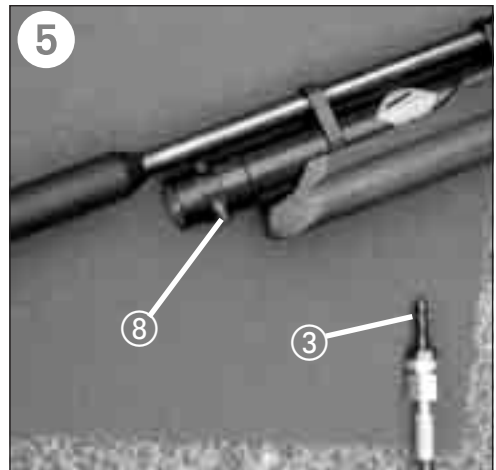
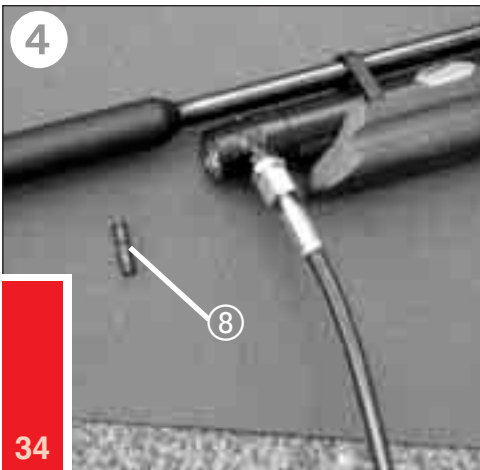
HW 100 mit Quick-Fill-Kartusche

HW 100 with quick-fill-air-cartridge

- ① Anschlusschlauch mit Anschlussgewinde (Innen – G 1/8")
- ② Druckluftflasche mit Anschlussventil
- ③ Quick-Fill Adapter (Außengewinde G 1/8")
- ④ Manometer des Versorgungssystems
- ⑤ Entlüftungs- bzw. Ablassschraube
- ⑥ Manometer der Kartusche
- ⑦ Kartusche
- ⑧ Schutzdorn



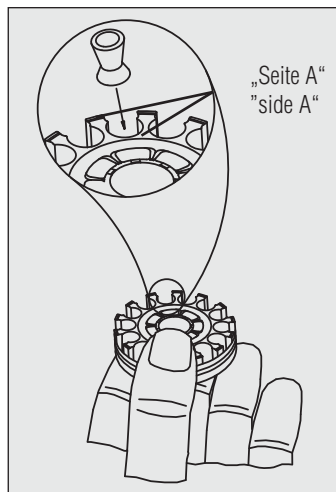
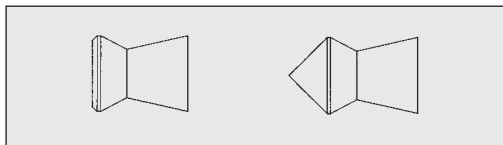
- ① hose with G 1/8" thread – female end
- ② bottle with integral valve
- ③ quick-fill adapter (thread G 1/8")
- ④ gauge of the charging equipment
- ⑤ bleed screw
- ⑥ gauge of the air cylinder
- ⑦ air cylinder
- ⑧ quick-fill plug



Laden des Magazins (siehe Handhabung S. 14)
Loading the magazine (see Operating Instructions p. 28)

Verwenden Sie **nur** Diabolo-Kugeln und **keine** Stahlbolzen, -pfeile, Rundkugeln oder ähnliches. Achten Sie darauf, dass die Kugeln nicht beschädigt sind. Verwenden Sie keine gebrauchten Kugeln.
Achten Sie darauf, dass die Diabolos nicht überstehen.
Beachten Sie das jeweilige Kaliber Ihrer Waffe.

Use **only** Diabolo/waisted pellets and do **not** use steel darts, -bolts, balls or similar projectiles. Do not use damaged pellets. Do not reuse pellets once shot.
Pay attention that the pellets are flush with the magazine.
Check the markings on your gun for the right calibre.



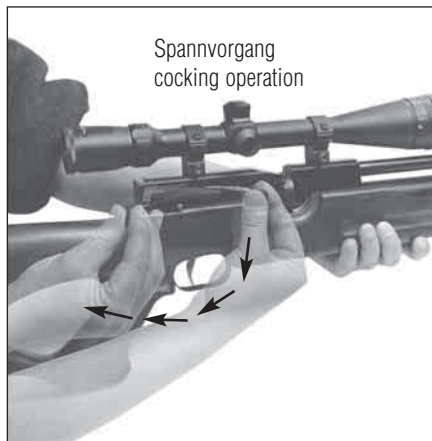
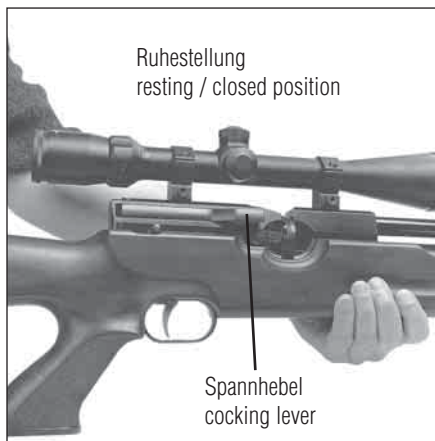
Spannen des Systems (siehe Handhabung S. 14)
Cocking the action (see Operating Instructions p. 29)

Halten Sie die Waffe immer in eine sichere Richtung!

Vergewissern Sie sich, dass sich **niemand im** Mündungsbereich und **vor** dem Manometer aufhält.

Always point the gun in a safe direction!

Make sure that nobody is **in front of** the muzzle or the gauge.



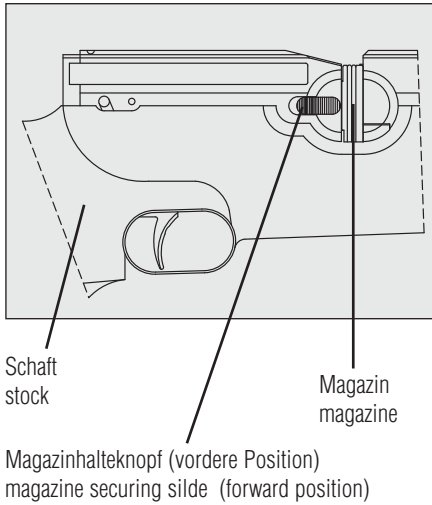
Während des Spann-, Lade- und Schließvorganges darf sich **kein** Finger, Kleidungsstück oder ähnliches am oder in der Nähe des Abzugs befinden. Halten Sie die Finger immer außerhalb des Abzugsbügels. Nur zum beabsichtigten Schuß darf der Finger an den Abzug gelegt werden. Tragen Sie **immer** eine Sicherheits-Schießbrille.

Keep your fingers, clothing, or other objects **away** from the trigger when cocking, loading, and closing the gun. Keep your finger out of the trigger guard. Only when you want to shoot, it may be placed on the trigger. **Always** wear shooting/safety glasses.



Laden (siehe Handhabung S. 14)
Loading (see Operating Instructions p. 29)

Ruhestellung
resting / closed position



Magazin einführen
inserting the magazine



Spannhebel schließen
closing the cocking lever

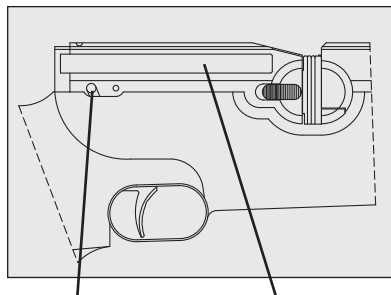


Achtung! Die seitlich geöffnete Lagerseite des Magazins „Seite A“ muss nach hinten zeigen.

Attention! The opened chamberside of the magazine "side A" has to point backward.

Sicherung (siehe Handhabung S. 14)
Safety (see Operating Instructions p. 29)

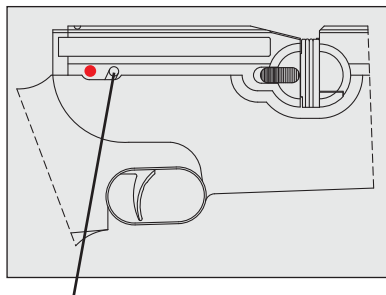
sicher
safe



Sicherungshebel
(hintere Stellung)
safety lever/catch
(rearward position)

Spannhebel
cocking lever

entsichert
unsafe



Sicherungshebel
(vordere Stellung)
safety lever/catch
(forward position)

Einstellung des Abzugs (siehe S. 16)
Adjustment of the trigger (see p. 30)

Überzeugen Sie sich **immer vorher**, dass die Waffe **nicht** geladen und/oder gespannt ist.
Always check before, that the gun is **not** cocked and/or loaded.

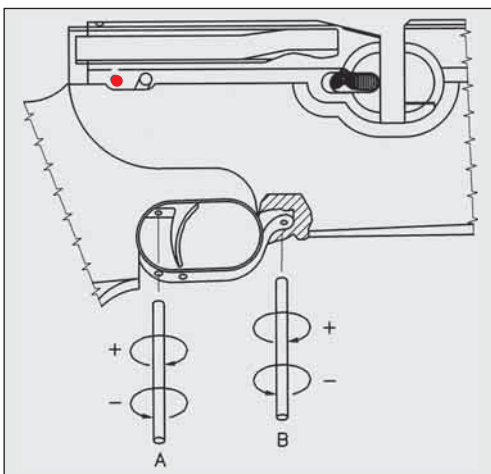
Das Abzugsgewicht kann durch Rechtsdrehung der Schraube „B“ erhöht und durch Linksdrehung erleichtert werden. (B – Schaft vorher abnehmen).
Ist bei der Überwindung des Druckpunktes ein Nachziehen spürbar, ist dieses durch Linksdrehen der Druckpunktschraube „A“ zu beseitigen. Löst sich der Schuss ohne spürbaren Druckpunkt, so muss die Druckpunktschraube nach rechts gedreht werden.

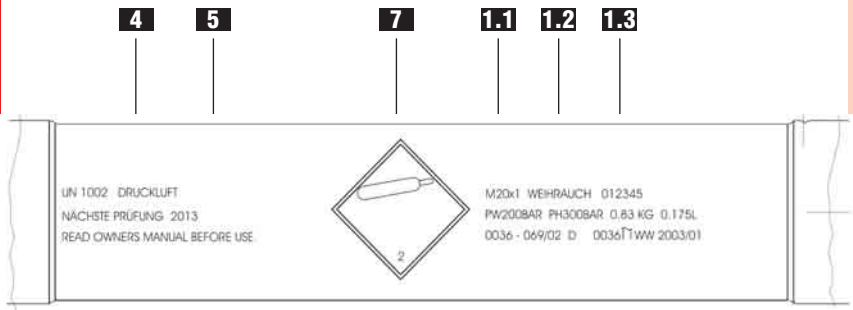
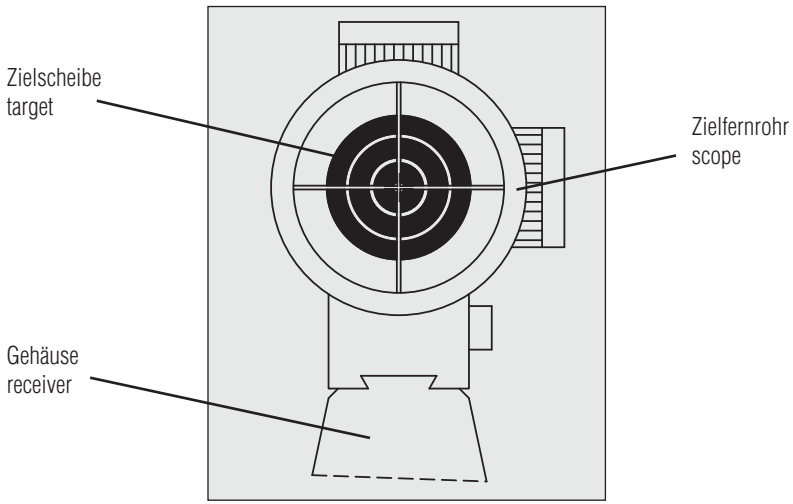
By turning the screw “B” to the right, the trigger weight can be increased and by turning the same screw to the left, it can be reduced. (B – below/stock removed).

If you feel a certain creep, when reaching the let-off point, this has to be eliminated by turning the trigger pull screw “A” to the left. If the trigger can be released without feeling any trigger pressure, the trigger pull screw must be turned to the right.

A – Druckpunkt
Rechtsdrehung: weicher
Linksdrehung: härter
travel to let-off point
turn to right: softer
turn to left: harder

B – Gewicht
Rechtsdrehung: schwerer
Linksdrehung: leichter
weight
turn to right: harder
turn to left: lighter





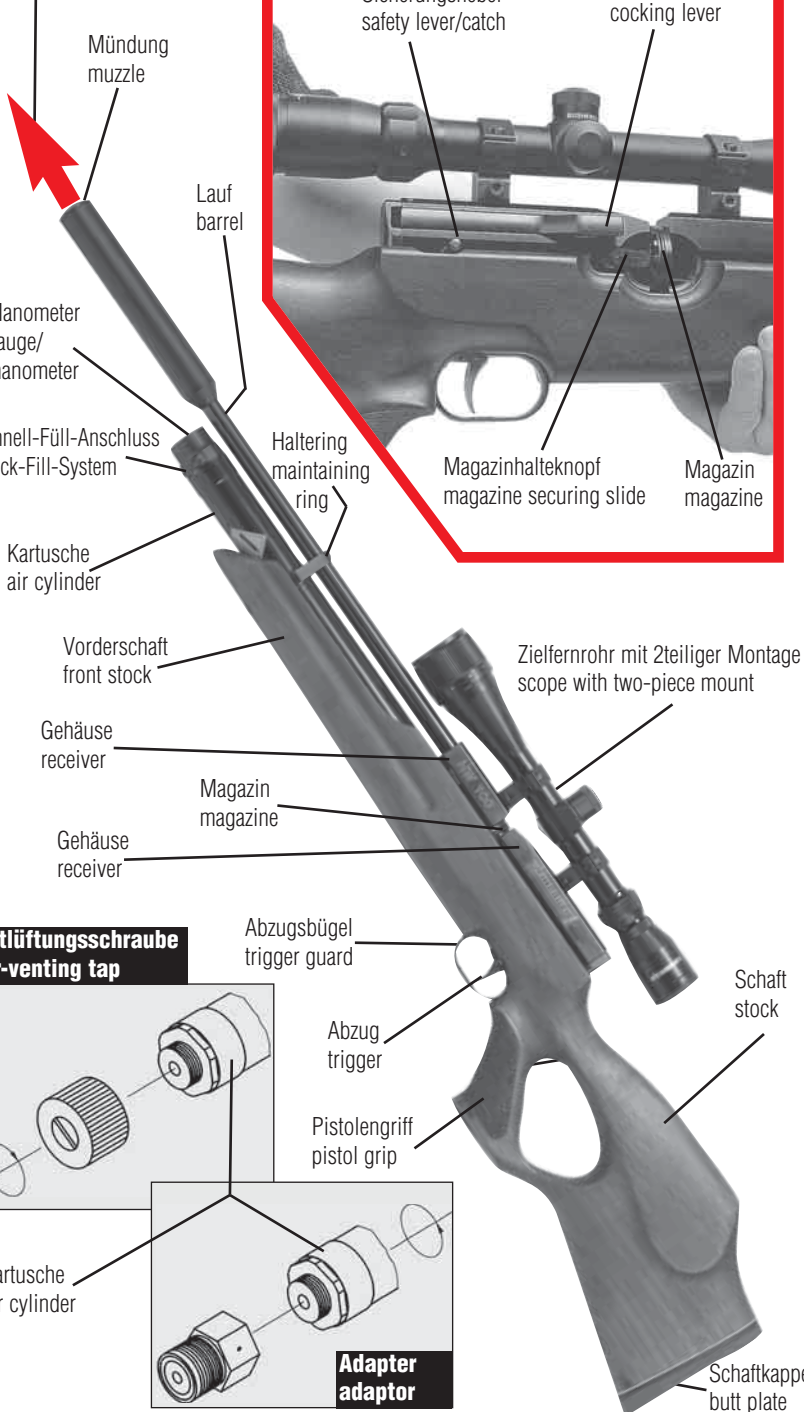
Erläuterung der einzelnen Komponenten nach ADR:

- 1.1 Anschlussgewinde der Kartusche
- 1.2 Hersteller
- 1.3 Herstellungsnummer
- 2.1 Fülldruck (bar)
- 2.2 Prüfdruck (bar)
- 2.3 Leermasse (kg)
- 2.4 Fassungsraum (l)
- 3.1 Baumusterzulassungsnummer
- 3.2 Herstelldatum (Jahr/Monat)
- 4 Gasbezeichnung
- 5 Zeitpunkt der nächsten Prüfung (Jahr)
- 6 Warnung
- 7 Gefährzettel (Aufkleber)

Description of the elements according to ADR:

- 1.1 thread of the air cylinder
- 1.2 manufacturer
- 1.3 serial number
- 2.1 operating pressure (bar)
- 2.2 test pressure (bar)
- 2.3 weight, empty (kg)
- 2.4 capacity (l)
- 3.1 design approval number
- 3.2 date of manufacture (year/month)
- 4 gas designation
- 5 date of the next check (year)
- 6 warning
- 7 classification of danger (sticker)

**Sichere Richtung
safe direction**



WEIHRAUCH

SPORT

***Unser Lieferprogramm für Hobby und Sport:
Our program for hobby and sport:***

- **Luftpistolen**
air pistols
- **Luftgewehre**
air rifles
- **Selbstschutzwaffen**
handguns for blanks
- **Repetierbüchsen**
für Match und Jagd
bolt action rifles
for match and hunting

***Fordern Sie Prospekte an!
Ask for catalogues!***

**Weihrauch & Weihrauch Sport
GmbH & Co. KG
Postfach 20 · 97634 Mellrichstadt
Germany
e-mail: info@weihrauch-sport.de
Internet: www.weihrauch-sport.de**