

OWNER'S MANUAL

Congratulations! You are now a member of the Mendoza community. Please read this owner's manual completely and remember that this air rifle is not a toy. Treat it with the same care you would treat a firearm. Always carefully follow safety instructions described in this owner's manual and keep the manual in a safe place for future reference. If you have any questions about your new air rifle, contact **Air Venturi at 216-292-2570**.

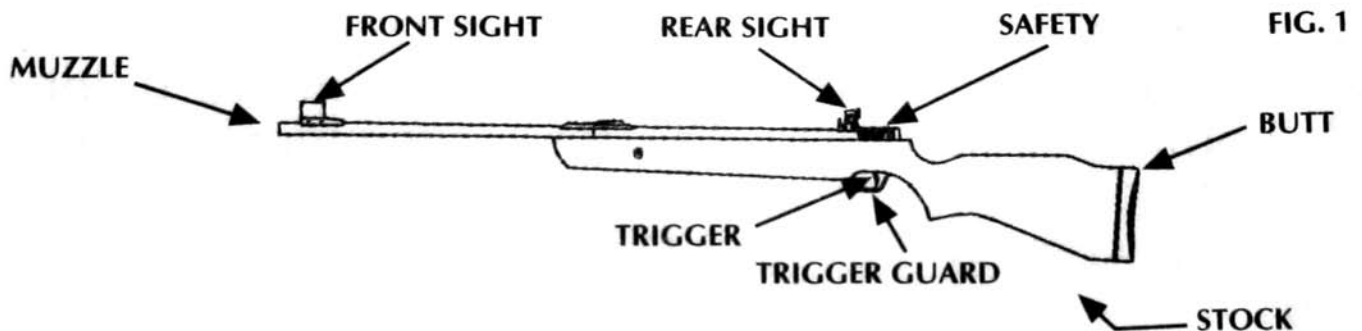
! WARNING: Not a toy. Adult supervision required. Misuse or careless use may cause serious injury or death. May be dangerous up to 1,000 yards.

THIS AIRGUN IS INTENDED FOR USE BY THOSE 18 YEARS OF AGE OR OLDER.

! WARNING: LEAD PELLETS. Do not inhale dust or put pellets in mouth. Wash hands after handling. This product contains lead, a chemical known to the State of California to cause cancer and birth defects (or other reproductive harm).

1. LEARNING THE PARTS OF YOUR NEW AIR RIFLE

Learning the names of the parts of your new rifle will help you understand the owner's manual. Use this manual to increase your enjoyment of this air rifle.



2. OPERATING THE SAFETY

! WARNING: Keep the air rifle in the ON SAFE position until you're ready to shoot, then push the safety to the OFF SAFE position.

a) To put the air rifle ON SAFE:

- Locate the safety on top of the receiver (fig. 2)
- The safety will be automatically placed in the ON SAFE position after the air rifle has been cocked (step 3). The safety is not ON SAFE unless it is pushed all the way back toward the butt of the stock and the red dot on the safety is not showing. The air rifle will not fire when ON SAFE. Even when the safe is ON SAFE, you should continue to handle the air rifle safely. Do not ever point the air rifle at any person. Do not ever point the air rifle at anything you do not intend to shoot.

b) To take the air rifle OFF SAFE:

- The rifle is ready to fire when cocked (step 3) and in the OFF SAFE position.
- To take the air rifle OFF SAFE, push the safety all the way forward toward the barrel.
- When you can see the red dot on the safety, the air rifle is OFF SAFE and can be fired.

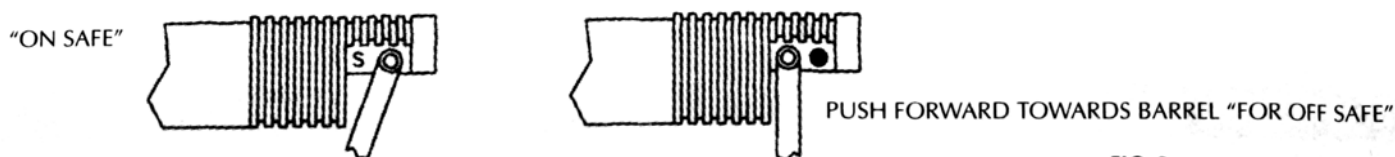


FIG. 2

3. COCKING YOUR AIR RIFLE

! WARNING: Keep your finger off the trigger while cocking the air rifle or with the barrel in the downward position. Failure to do so may permanently damage your air rifle. Do not shoot without a pellet in the chamber (dry fire). This may permanently damage your air rifle.

- Lean the breech of the rifle on your knee. Brace the butt of the air rifle against your leg.
- Take the rifle by the pistol grip with one hand and place the other hand around the barrel. Grasp the air rifle by the grip with one hand and place the other hand around the barrel. (fig. 3)
- Pull the barrel downward to the stop. Do not pull past this point and do not use excessive force or speed when cocking your rifle. Be careful not to pinch your hands or fingers in the hinge area of the air rifle.

NOTE: Cocking the air rifle automatically pushes the safety to the ON SAFE position. (fig. 2) Once the rifle is cocked, you will notice that a red dot appears in the oiling hole (fig. 7). This red dot indicates that the rifle has been cocked.

4. LOADING AND UNLOADING PELLETS

! WARNING: Use .177 caliber (4.5mm) pellets or .22 caliber (5.5mm) pellets according to your Mendoza rifle model. Never reuse pellets. The use of any other kind of ammunition can cause injury to you or damage to the air rifle.

a) Loading pellets

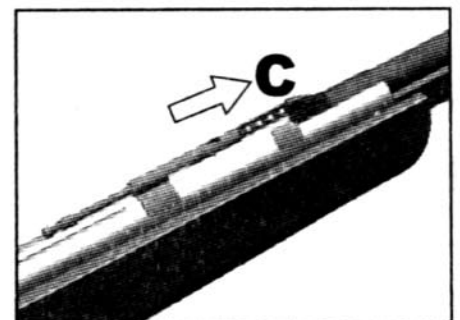
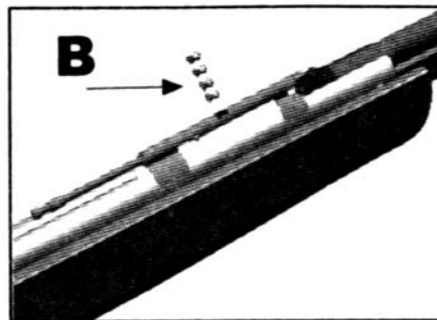
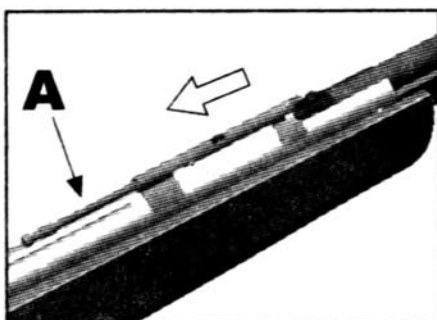
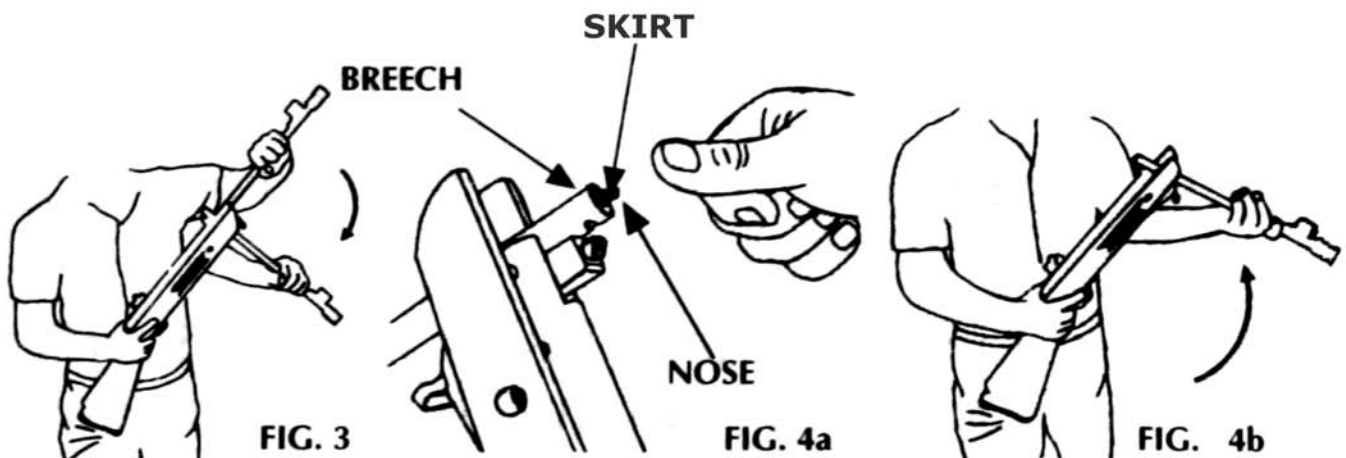
- With the barrel in the open position, place the pellet, nose first, into the breech (fig. 4a). Make sure the skirt of the pellet is flush with the face of the breech.
- Move the barrel back to its original position by pushing the barrel up until it locks into place, making sure that the pellet stays in the barrel. Once again, be careful not to pinch your hands or fingers.
- With the air rifle pointed in a SAFE DIRECTION, take it OFF SAFE (step 2b).
- Now it's loaded and ready to fire by pulling the trigger (fig. 4b).

b) Unloading pellets

- Once you have loaded your air rifle, the easiest way to unload it is to point it in a SAFE DIRECTION and fire it.
- If you cannot safely unload your air rifle by firing it, see step 6—Removing a Jammed Pellet.

c) For rifles with a magazine

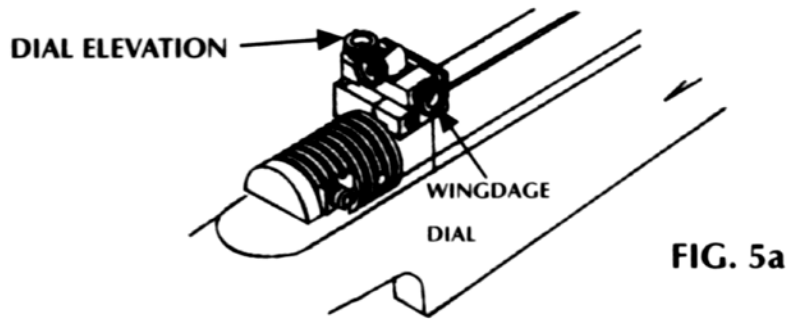
- Pull back the follower (A) and give it a slight turn when it reaches the end.
- Insert only Mendoza 2000 Express pellets into the pellet loading port. Aiming your rifle at the ground, insert up to 7 pellets.
- Give the follower a turn in the opposite direction until it touches the pellets (C).



5. ADJUSTING SIGHTS, AIMING AND FIRING SAFETY

a) How to install the rear sight.

- Slide the rear sight onto the dovetail grooves on the receiver.
- Using a hex wrench, tighten the two mounting screws on the right side of the sight.



b) Sight adjustment.

Models with micrometer rear sights:

The rear sight can be adjusted to shoot higher or lower (elevation). Loosen the elevation slide lock knob by turning it counterclockwise. Then, turn the elevation knob counterclockwise to make the pellet hit lower on the target. Then, lock the elevation slide in place by turning the elevation slide lock knob clockwise.

The rear sight can also be adjusted to shoot right or left (windage). Turn windage adjustment knob counterclockwise to make the pellet hit to the right on the target. Turn the windage knob clockwise to make the pellet hit to the left on the target. (fig. 5a)

Models RM-10/RM-100/RM-200:

The rear sight may be adjusted to shoot higher or lower (elevation). Move the rear sight elevator back to make the pellet hit higher on the target. Move the rear sight elevator forward to make the pellet hit lower on the target. When moving the elevator, slightly lift the rear sight and reset it on the desired notch in the elevator. (fig. 5b)

The rear sight may also be adjusted to shoot right or left (windage). Loosen the windage adjustment screws by turning them counterclockwise with a 3/32" hex wrench. Move the sight to the right to make the pellet hit to the left on the target. Move the sight to the left to make the pellet hit to the right on the target. Tighten the windage adjustment screws by turning them clockwise. (fig. 5c)

c) Aiming and firing the air rifle

- You and others with you should always wear shooting glasses to protect your eyes
- Always aim your air rifle in a SAFE DIRECTION. When you are sure of your target and backstop, and the area around the target is clear, load your rifle, cock it (step 3), take it "off safe"(step 2b) and pull the trigger to fire.
- Do not shoot at hard surfaces or at the surface the water. The pellet may bounce off or ricochet and hit someone or something you had not intended to hit.

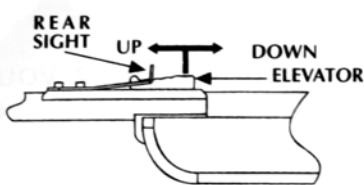


FIG. 5b

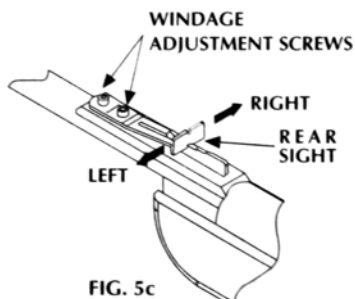
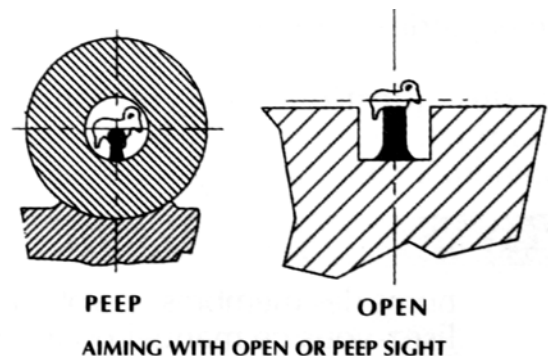


FIG. 5c



PEEP

OPEN

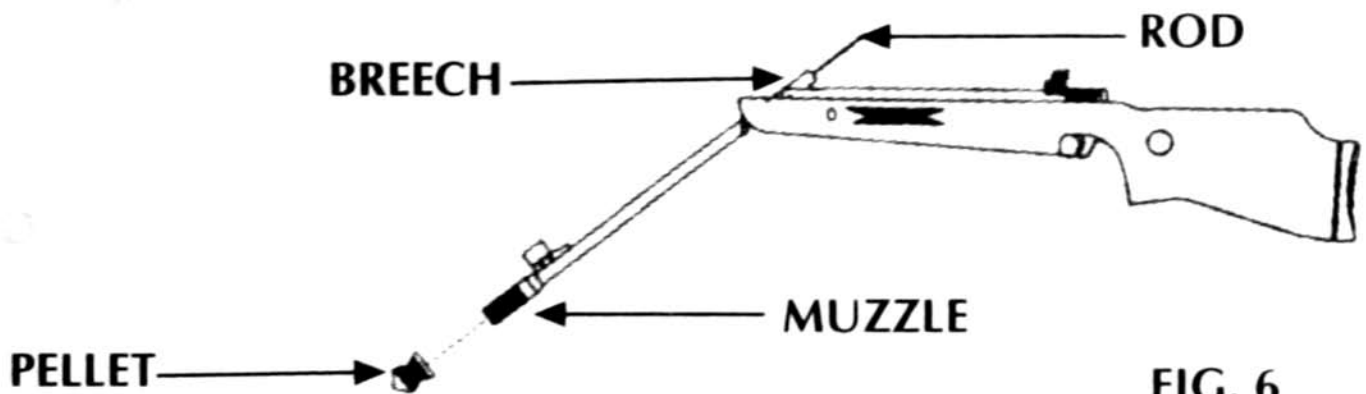
AIMING WITH OPEN OR PEEP SIGHT

- Always choose your target carefully. It's best to shoot at a paper target attached to a safe backstop such as the Crosman 850 Target Tap. A heavy blanket should be hung behind the Target Trap to prevent ricochets in case you miss the backstop.
- Your backstop should be checked for wear before and after each use. Replace your backstop if the surface is worn or damaged or if a ricochet occurs.
- Your air rifle is designed for target shooting and is suited for both indoor and outdoor use. Always remember to place your target carefully. THINK about what you will hit if you miss the target.
- The air rifle is correctly aimed when the top of the front sight post is positioned exactly in the center of the hole of the rear sight. The top of the front sight post should be even with the top of the hole in the rear sight. The bullseye should appear to rest on the front sight.

6. REMOVING A JAMMED PELLET

! WARNING: Do not assume that the gun is unloaded if it fails to fire properly!

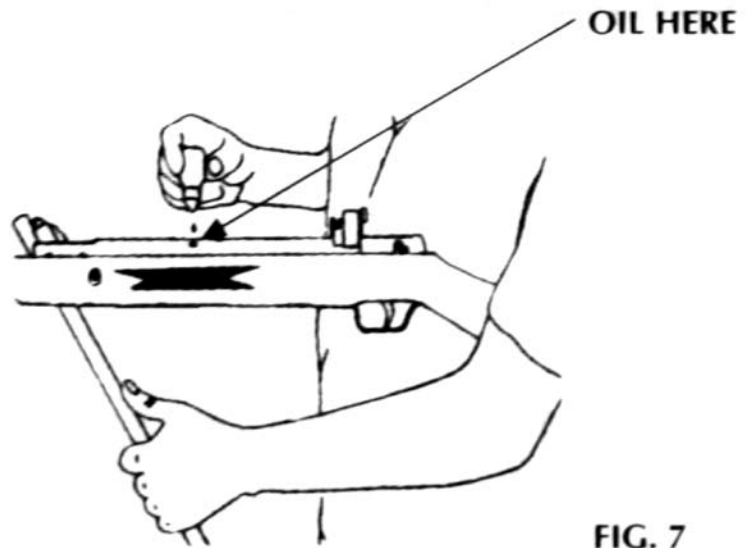
- Do not reload the air rifle.
- Cock the air rifle (step 3), take OFF SAFE (step 2B), point the air rifle in a SAFE DIRECTION and squeeze the trigger to fire.
- Break the barrel open slightly (without pulling the barrel all the way down to the point that it cocks the action) and look down the breech to see if the air rifle is jammed. (fig. 6)
- If the air rifle is jammed, insert a ramrod into the breech and push the jammed pellet out of the muzzle. Do not try to reuse that pellet.
- Your rifle is designed to shoot targets and is appropriate to be used indoors or in the field. Always place your target carefully.



7. MAINTAINING YOUR AIR RIFLE

! WARNING: Never leave your airgun loaded.

- Your air rifle will work best if you oil it every 200 shoots, where indicated (fig. 7) with two drops of a silicone-based chamber oil made specifically for spring air rifle use. DO NOT use any other type of oil and DO NOT over-oil, as this can damage your air rifle. To protect the outside finish of your air rifle, apply a few drops of oil and polish the entire surface with a flannel cloth.



- If the accuracy of your air rifle falls off, run a firm but free-fitting patch through the barrel. Be sure to use a ramrod of the proper size that will not damage the barrel.
- Tampering with the air rifle or attempts to change the air rifle in any way may make it unsafe to use and will void the warranty.
- If you drop your air rifle, check to see that it works properly before you use it again. If anything seems changed, this may mean worn out or broken parts. **Contact Air Venturi at 216-292-2570 before you use your rifle again.**

! WARNING: **DO NOT TRY TO DISASSEMBLE THE GUN.** Your rifle needs special tools and Mendoza parts in order to be repaired. If you disassemble it, you may not be able to properly reassemble it. Productos Mendoza does not assume any warranty liability under such circumstances.

8. REVIEWING SAFETY

- You and others with you should always wear shooting glasses to protect your eyes.
- Always aim your air rifle in a SAFE DIRECTION. When you are sure of your target and backstop and the area around the target is clear, take the air rifle OFF SAFE (step 2) and squeeze the trigger to fire.
- Do not shoot at hard surfaces or at the surface of water. The pellet may bounce off or ricochet and hit someone or something you had not intended to hit.
- Always choose your target carefully. It is best to shoot at paper bullseye targets attached to a safe backstop. Your backstop should be checked for wear before and after each use. Replace your backstop if the surface is worn or damaged or if a ricochet occurs.
- Your rifle is suited for indoor and outdoor use. Always remember to place your target carefully. THINK about what you will hit if you miss the target.
- Do not attempt to disassemble or tamper with your air rifle. Contact Air Venturi at 216-292-2570 for repair.
- Do not put the air rifle away while it is loaded or cocked.

REPAIR SERVICE

If your rifle needs to be repaired, contact Air Venturi at 216-292-2570.

9. WARRANTY

Limited One-Year Warranty

This product is warranted to the retail consumer for one year from date of retail purchase against defects in material and workmanship and is transferable.

What is covered:

Replacement parts and labor. Transportation charges to consumer for repaired product.

What is NOT covered:

Transportation charges to Air Venturi for defective products. Damages caused by abuse or failure to perform normal maintenance. (step 7) Any other expense. CONSEQUENTIAL DAMAGES, INCIDENTAL DAMAGES OR INCIDENTAL EXPENSES INCLUDING DAMAGE TO PROPERTY. SOME STATES DO NOT ALLOW THE EXCLUSION OR LIMITATION OF INCIDENTAL OR CONSEQUENTIAL DAMAGES, SO THE ABOVE LIMITATION OR EXCLUSION MAY NOT APPLY TO YOU.

Warranty claims:

Warranty claims for U.S. and Canadian Customers:

Please return product to Air Venturi. Call Air Venturi at 216-292-2570 before returning any product.

Implied warranties:

ANY IMPLIED WARRANTIES, INCLUDING THE IMPLIED WARRANTIES OF MERCHANTABILITY AND FITNESS FOR A PARTICULAR PURPOSE, ARE LIMITED IN DURATION TO ONE YEAR FROM DATE OF RETAIL PURCHASE. SOME STATES DO NOT ALLOW LIMITATIONS ON HOW LONG AN IMPLIED WARRANTY LASTS, SO THE ABOVE LIMITATION MAY NOT APPLY TO YOU.

To the extent any provision of this warranty is prohibited by federal, state or municipal law which cannot be preempted, it shall not be applicable. This warranty gives you specific legal rights, and you may also have other rights which vary from state to state and country to country.

Air Venturi
AirVenturi.com
216-292-2570