



**BP17
PRECHARGED PNEUMATIC
AIR RIFLE**

User Instruction Manual

Contents

Safety code.....	4
BP17 air rifle overview	5
Specifications	6
Rifle design and functions.....	7
Rifle assembly	10
Loading the magazine.....	11
Installing the magazine.....	11
Shooting procedure.....	12
Maintenance	12
Charging the tank	13
Discharging the tank	14
Barrel dismounting and mounting.....	15
Storage and transportation	16
Performance check.....	16
Troubleshooting	17

Read all instructions and warnings in this manual before using the airgun. This information could save your life and the lives of others.



NOT A TOY. ADULT SUPERVISION REQUIRED. MISUSE OR CARELESS USE MAY CAUSE SERIOUS INJURY OR DEATH. MAY BE DANGEROUS UP TO 915 METERS / 1000 YARDS



THIS AIRGUN IS INTENDED FOR USE BY THOSE 18 YEARS OF AGE OR OLDER. BUYER AND USER HAVE THE DUTY TO OBEY ALL LAWS ABOUT THE USE AND OWNERSHIP OF THIS AIRGUN.

Safety code

The rifle design ensures safe performance only if used properly.

Please bear in mind!

- Treat the rifle as loaded even with a safety on
- Never point the airgun at any person, animal or anything you don't intend to shoot.
- Load the rifle only at the firing range.
- After shooting and before leaving the firing range, open the bolt, check the barrel for the presence of pellets, and fire a dry shot into the ground.
- Store the rifle and pellets out of reach of children and any unauthorized people.
- It is strictly prohibited to alter or modify any parts or units of the rifle.
- Do not heat the rifle or its tank above +50°C / 122°F or cool below -10°C / 14°F.
- Fill / charge the rifle with compressed air only with the bolt lever open.
- Use only the compressed air to fill / charge your airgun.
- It is prohibited to use the under-barrel tank with any mechanical defects on its surface or with expired working life.
- Do not use steel pellets, pyrotechnic cartridges, home-made pellets, clay, wax or any other unauthorized items.
- Never look into the barrel from the muzzle side.

Any signs of unauthorized tampering or altering the parts or units of the mechanism will void the warranty.

It is mandatory to carry out a standard checkup procedure before shooting the rifle:

- Check the tank for any signs of damage (dents, deep scratches). If there are any defects, the use of the rifle is **STRICTLY FORBIDDEN** due to the possibility of damaging the rifle as well as serious injury / death.
- Check the gripping of the screws attaching the barrel to the receiver. The screws must not be too tight – no more than 6 N – to avoid any damage.
- Check the gripping of the screws attaching the action to the stock. The screws must not be too tight – no more than 6 N – to avoid any damage.

BP17 air rifle overview

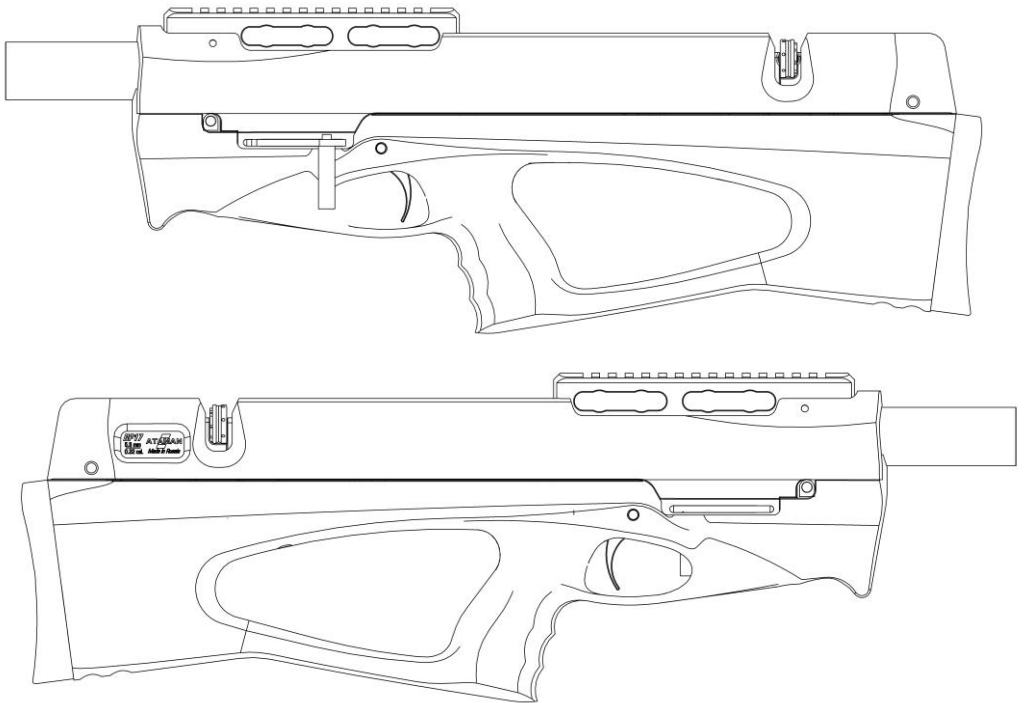


Fig. 1 – BP17 rifle overview

Specifications

BP17 air rifle is intended for use indoors and outdoors within the temperature range from 0°C / 32°F to +50°C / 122°F.

There are the following marks on the rifle body: the make of the rifle, manufacturer brand, country of origin, the caliber of the pellets used in millimeters and inches, and serial number. The marks are made in Russian and located on the right side of the rifle.

Caliber, mm (inches)	4,5 (.177)	5,5 (.22)
Regulated shots per fill		
Tank capacity, CC	100	
Working pressure, BAR / PSI, not more than	300 / 4409	
Test pressure, BAR / PSI, not less than	450 / 6613	
Trigger pull, kg / lbs	0.8-1.5 / 1,76-3.31	
Trigger creep, mm / inches	3-5 / 0.12-0.2	
Barrel length, mm / inches	370 / 14.57	
Maximal overall length, mm / inches	605 / 23.82	
Height, mm / inches	196 / 7.72	
Width, mm / inches	52 / 2.05	
Weight, kg / lbs	2,5 / 5.51	

Rifle design and functions

The design of the rifle is continually updated, and the manufacturer reserves the right to implement some changes that do not affect the rifle specifications or improve them without notifying the customers and users.

BP17 air rifle consists of barrel unit, receiver with trigger mechanism, bolt, firing mechanism, valve, under-barrel high pressure air tank, rails with clamps, assembled stock and safety lock. The coupling of receiver and barrel unit is detachable.

- When the lever handle is moved forward, the hammer cocking is occurred, and the magazine is rotated.
- When the bolt is moved forward, the rammer head pushes a pellet from the magazine and places it behind the bypass opening.
- When the lever is moved back, the bolt is put in a fixed position.
- When the trigger is pulled, the hammer is released from the sear. Affected by the firing spring, it moves forward and strikes the valve stem. The stem moves from the seat and a certain amount of compressed air goes to the barrel via the bypass opening. A shot occurs.
- After the shot is made, the pressure regulator opens, and the compressed air from the tank goes to an accumulation chamber, filling it until the pressure reaches the required level. The cycle repeats during further shooting.

No.	Part number	Denomination	Q-ty
1	BP.01.09.01 (1)	Valve	1
2	AP.01.09.02	Valve stem	1
3	BP.01.08.04 (1)	Bolt	1
4		Needle 1.5x9.8	1
5		Needle 2x9.8	2
6		Ball 5	1
7	BP.01.08.03 (2)	Lock	1
8		Needle 2.5x15.8	1
9	AP.01.06.02	Magazine pawl	1
10	AP.01.06.03	Magazine pawl holder	1
11	AP.01.08.31	Switch casing	1
12		Needle 2x19.8	1
13		Pin 2x5 DIN 6325	1
14	AP.01.01.01	Receiver cover	1
15	AP.01.01.03 (1)	Sear	1
16	AP.01.01.09	Trigger spring	1
17	AP.01.08.01.01 (1)	Receiver	1
18	BP.17.01.08.01	Bolt cover	1
19	BP.01.08.06	Hammer	1
20	AP.01.08.10	Nut	1
21	AP.01.08.11 (1)	Receiver nut	1
22	AP.01.08.12	Balancing lever	1
23	AP.01.08.14	Adjustment screw	1
24	AP.01.08.23	Hammer spring	1
25	AP.01.08.25	Valve spring	1
26	AP.01.08.34	Spacing washer	2
27	AP.01.08.35	Handle screw	1
28	BP.17.01.01.01 (1)	Accumulation chamber	1
29	BP.17.01.01.02 (2)	Secondary sear	1
30	BP.17.01.01.03	Discharge valve nut	1
31	M2R.01.16.02-06	Friction rod	1
32	M2R.01.16.02-08	Friction rod	1
33		M3x6 DIN 912 screw	1
34		M3x8 DIN 912 screw	5
35		M5x5 DIN 913 screw	1
36		M6x6 DIN 913 screw	2
37		M4x10 DIN 915 screw	2
38		M4x12 DIN 7991 screw	1
39		3.5x1.5 90 NBR O-ring	4
40		13x1.5 90 NBR O-ring	2
41		Needle 2x13.8	2
42		Needle 3x17.8	4
43		Washer A DIN 125	6
44		Ball 3	3
45		Pin 1x3 DIN 7	1
46	AP.01.02.01	Regulator casing	1
47	AP.01.02.02	Regulator flange	1
48	AP.01.02.03	Regulator piston	1
49	AP.01.02.04	Piston seat	1
50	AP.01.02.05	Nozzle screw	1
51		M4x8 DIN 912 screw	2
52		5.5x1.5 70 NBR O-ring	2
53		8.5x1.5 90 NBR O-ring	1
54		Disk spring 12.5x6, 2x0.7 DIN 2093	10

No.	Part number	Denomination	Q-ty
55		M4 DIN 912 screw	4
56	M2R.01.01.11	Safety spring	3
57		Bypass plug	1
58	BP.17.01.03.01 (1)	Tank front plug	1
59		M3x8 DIN 7991 screw	9
60		5x1.5 90 NBR O-ring	1
61		19x3 90 NBR O-ring	2
62	BP.17.01.04.01 (1)	Tank tube	1
63	AP.01.05.01	Back plug	1
64	AP.01.05.02	Tank valve	1
65		Needle 2.5x9.8	1
66	M2R.01.04.03	Valve plug	1
67	AP.01.05.03	Tank valve spring	1
68	P.17.01.05.06-01	Barrel	1
69	BP.17.01.05.01 (5)	Balancing lever	1
70	BP.17.01.05.02	Balancing lever axis	1
71	BP.17.01.05.05	Drawbar axis	1
72		2.3 DIN 6799 lock washer	1
73		Washer A 5.3 DIN 9021	1
74		M3x16 DIN 912 screw	1
75		M3 DIN 7991 screw	2
76		Needle 3x15.8	1
77	BP.17.01.06.04 (1)	Barrel clamp	1
78	BP.17.01.00.01 (1)	Safety	1
79		M3x30 drawbar fork	2
80	BP.17.01.06.05	Trigger fork	1
81	BP.17.01.06.04	Carriage	1
82	BP.17.01.06.03 (10)	Lever	1
83		M4x4 DIN 913 screw	2
84	BP.17.01.06.08	Carriage screw	1
85	BP.17.01.08.12	Pawl	1
86	BP.17.01.08.14	Stopper	1
87	BP.17.01.08.06	Rail	1
88	BP.17.01.08.12	Pawl spring	1
89	BP.17.01.06.07 (3)	Trigger blade	1
90	BP.17.01.06.08 (1)	Lever axis	2
91	BP.17.00.12	Lever roller	1
92		M3 DIN 934 nut	2
93		M3x6 DIN 915 screw	1
94		3x1.5 70 NBR O-ring	1
95	M2R.01.16.02	Friction rod	1
96	BP.17.01.06.02 (3)	Clamp	2
97	BP.17.01.06.01 (2)	Picatinny rail	1
98	D.02.00.01-02	Silencer back plug	1
99	BP.17.01.05.03 (6)	Bolt drawbar	1
100	BP.17.01.08.45	Lever handle	1
101	BP.17.00.11	Roller	1
102	BP.17.01.06.08-1	Lever axis	1
103	D.02.00.03	Silencer tube	1
104	D.02.00.02	Silencer front plug	2
105		M3x10 DIN 912 screw	2
106		Washer A 3.2 DIN 125	1
107		Gauge	1

Rifle assembly order

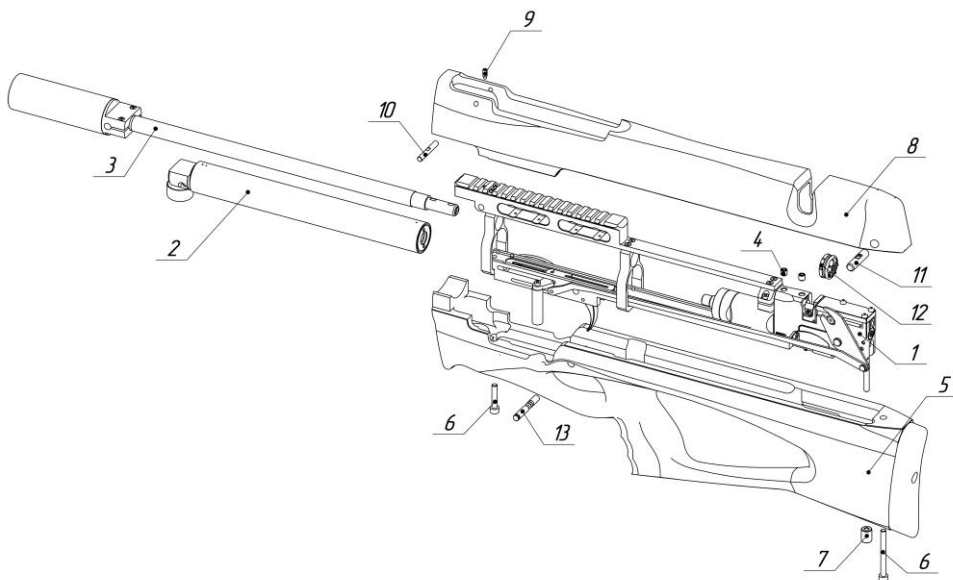


Fig. 2 – Rifle assembly order.

1 – receiver assembled; 2 – tank; 3 – barrel with silencer; 4 – barrel attachment screws; 5 – stock; 6 – stock attachment screws; 7 – stock attachment screws; 8 – cheekpad; 9 – cheekpad adjustment screw; 10 – cheekpad pin; 11 – cheekpad axis; 12 – magazine; 13 – safety.

- Mount the tank to the assembled receiver;
- Mount the barrel (see “Barrel mounting and dismounting” paragraph);
- Tighten the stock to the rail using screws 6 and nut 7;
- Mount the cheekpad using pin 10, axis 11 and screw 9;
- Cock the bolt and install the safety (fig. 3).

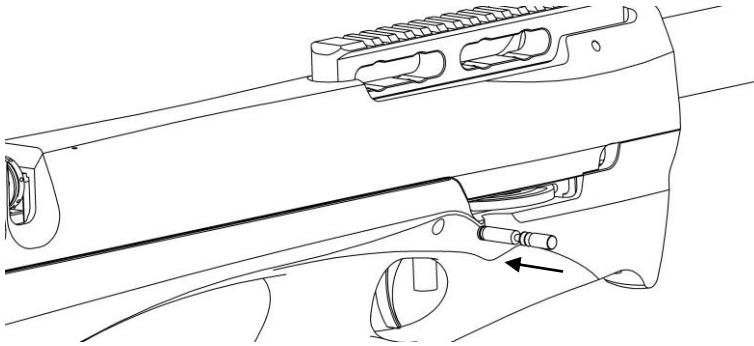


Fig. 3 – Installing the safety.

Loading the magazine

Load the pellets into the magazine until they are fixed with the O-rings as shown at Figure 4. Do not allow the pellets to protrude out of the magazine surface.

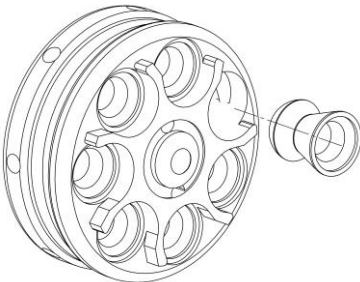
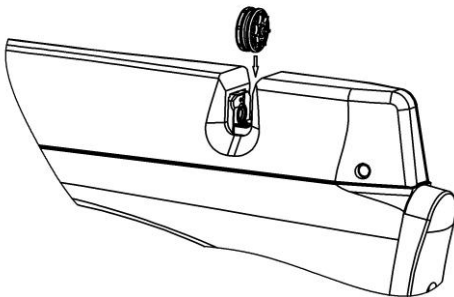


Fig. 4 – Loading the magazine

Installing the magazine

Open the bolt until the end, put in the magazine from above into the switch casing.



- Opening the bolt will automatically rotate the magazine thus opening the next chamber.
- The magazine loading procedure is to be repeated after the last shot.

Fig. 5 – Installing the magazine.

Do not use damaged or dirty pellets. Do not reuse the pellets. Do not use the pellets protruding from the magazine chambers.

Check the gripping of the pellets in the magazine by O-rings so that the pellets wouldn't fall off. If required, the O-rings can be lubricated or replaced if damaged.

Shooting procedure

1. Open the bolt. In order to do it, move the bolt lever handle to the forwardmost position.

There must not be any obstacles when opening the bolt!

2. Send the pellet into the barrel by closing the bolt.
3. Take a shot at the desired target by gently pulling the trigger.
4. Repeat the procedure from p. 1 to p. 3 for subsequent shot. Monitor the gauge for the tank pressure. If it is lower than the operating level requires, charge the rifle with compressed air.
5. Having finished shooting, take a dry shot to the ground.

Maintenance

Lockwork adjustment (Fig. 6).

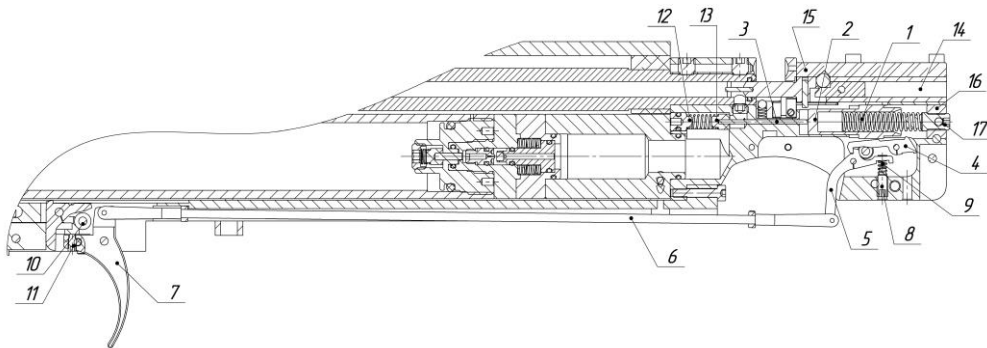


Fig. 6 – Lockwork.

1 – hammer spring; 2 - hammer; 3 – valve stem; 4 - sear; 5 – secondary sear; 6 – trigger drawbar; 7 – trigger blade; 8 – trigger pull adjustment screw; 9 – secondary sear spring; 10 – safety; 11 – trigger creep adjustment screw; 12 – plug; 13 – valve; 14 – bolt assembled; 15 – bolt cover; 16 – receiver plug; 17 – adjustment screw.

- Valve 13 opening time is fine-tuned by rotating the adjustment screw 17.
- Trigger pull is adjusted by screw 8. Clockwise rotation increases

the pull.

After the lockwork adjustment it is necessary to check the rifle for safety use (spontaneous hammer disengagement from the sear):

- Cock and shoot the rifle several times without pellets, only using air, to make sure that the engaging of the hammer and the sear occurs every time. This must be done with the receiver cover removed in order to monitor the lockwork performance;
- Put the safety on and off several times and make sure that a shot doesn't occur with the safety on;
- Tap the receiver of the cocked rifle with wooden or rubber hammer. Make sure the tapping doesn't lead to the lockwork parts displacement;
- After the action is attached to the stock, cock the rifle and carefully tap the rifle backplate at plain firm surface from 20-30 cm / 8-11 inches. Make sure no shot occurs;
- Check the safety performance. If the safety lock isn't moving to the right, rotate the adjustment screw for $\frac{1}{2}$ turns counterclockwise.

If all the procedures are in accordance to the manual, the rifle is safe to use with the new lockwork settings.

If some steps of the checkup fail, it is necessary to increase the sear engagement and/or trigger pull.

Charging the tank

Use filtered and dried compressed air to charge/fill your airgun. Check the filling probe and the front plug filling port for any damages or mud.

Always follow the safety code when charging/filling your airgun:

- The airgun must be charged/filled **ONLY WITH THE LEVER OPEN!!!**
- The airgun must be placed horizontally on a flat surface and perpendicular to the hose with a filling probe.
- It is forbidden to bend the filling hose when charging/filling the

airgun.

- Do not charge/fill your airgun if there are children and/or pregnant women present nearby.

Charging/filling procedure:

1. Attach the filling adapter to the compressed air source and tighten the bleeding screw.
2. Carefully insert the filling probe into the front plug filling port until the end.
3. Fill the airgun with compressed air (Fig. 7) until the desired level.
4. Close the valve on the compressed air source.
5. Depressurize the filling adapter using the bleeding screw and remove the probe from the filling port.

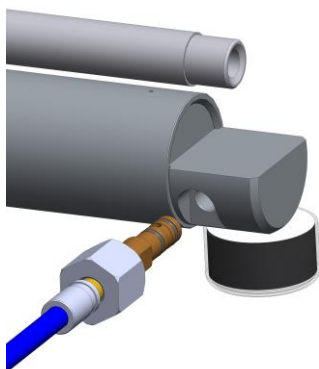


Fig. 7 – Charging the tank.

Always wait until the filling adapter is fully depressurized! Insert and remove the filling probe without effort in order not to damage the O-rings.

It is recommended to occasionally apply silicone vacuum grease or oil to the filling probe O-rings.

Discharging the tank

The under-barrel tank is depressurized by loosening screw 1 (Fig. 8). The tank will be fully depressurized in several minutes. Take a dry shot to check if the tank is fully depressurized. **Lack of the air hissing doesn't mean that the tank is fully depressurized.** Use the front plug gauge to monitor the tank pressure. When the tank is depressurized, tighten screw 1.

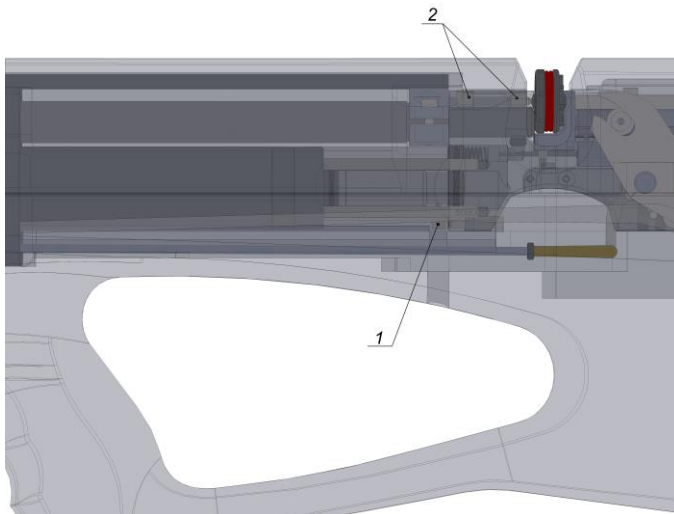


Fig. 8 – Discharging the tank.

1 – tank discharging screw; 2 – Barrel adjustment screws.

Barrel dismounting and mounting

Required for periodic checkup and cleaning (see Fig. 8).

- Using the Allen key untwist barrel adjustment screws in the upper side of the receiver;
- Carefully remove the barrel;
- Mount the barrel into the receiver so that its flat surface was located under the barrel adjustment screws (flat surface on top);
- Tighten the barrel adjustment screws. Be careful not to tight the screws over 6 N.

Storage and transportation

Storage and transportation of the rifle are only to be carried out with no pellets in the barrel and the hammer de-cocked!

The rifle must be stored in conditions assuring its safekeeping, safe storage and excluding any unauthorized access.

To be kept in operating conditions, the rifle must be cleaned and dried. The hammer and hammer guide must not be lubricated, as this unit is most stable at dry friction conditions. All the other metal parts

must have a thin layer of grease without any spots and stains.

It is recommended to store the rifle in a case. The hammer must be de-cocked. The tank must keep the residual pressure of 100 BAR.

It is possible to store the rifle depressurized; however, before using the rifle, it might be required to disassemble the tank and lubricate all the rubber O-rings.

The rifle can be carried by any means of roofed transportation. Before flying with the rifle, use the tank discharging screw to depressurize the tank, as air transportation of any pressurized cylinders is prohibited (see "Discharging the tank" paragraph).

Store the rifle in a special case. Keep the rifle from strikes and fallings.

Performance check

1. Pull the lever handle and put it into the forwardmost position to open the bolt. The hammer be cocked.
2. Close the bolt. It must be fixed in the forwardmost position.
3. Take a dry shot to check the lockwork performance.

Troubleshooting

ATTENTION! It is mandatory to learn the safety code (see page 4) before doing any maintenance actions!

1. The rifle does not fire

Check if it's charged / filled with compressed air;

Check if the hammer is cocked when the lever is opened;

Check if there are any pellets in the barrel left from the previous attempts. If there are, push them out with a ramrod in the muzzle direction, having the removed the barrel beforehand.

2. The rifle isn't cocked when the bolt is opened

Check the boltway. If required, wipe the bolt and the boltway clean.

Weaken the firing spring tension. In order to do it, rotate the hammer guide counterclockwise.

3. *Velocity deviation is more than 1%*

Check the hammer guide for any unauthorized objects, grease, dirt and clean it;

Substitute the pellets for those of higher quality;

Increase the gap between shots to 10-30 seconds.

4. *The rifle is slowly leaking*

Determine the leaking area: apply oil or kerosene to the places shown at Fig. 8. Foam (bubbles) will appear at the leaking place. Remove the damaged O-ring.

Check if the tank discharging screw is tight. It is common to forget to tighten it after the rifle disassembly! Do not apply excessive force!

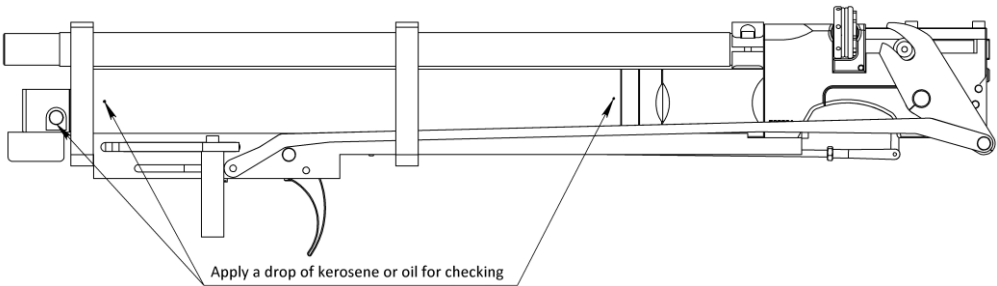


Fig. 8 – Leaking check

5. *Accuracy issues*

Clean the barrel;

Substitute the pellets for those of higher quality;

Check the gripping of the barrel to the receiver as well as the muzzle unit on the barrel.

6. *While charging, the air goes out of the probe, but the tank isn't filled*

Replace the filling probe or its O-rings;

Loosen the filling valve screw for $\frac{1}{4}$ turns (or contact the manufacturer).

In case you couldn't solve the problem by yourself, please contact the manufacturer or any authorized service center.