



RAIL LOCK™ SPRING COMPRESSOR

User Instruction Manual



For Spring and Gas Piston Rifles and Pistols

Contents

| | |
|------------------------------------------|-----|
| Parts of the Rail Lock™ compressor | 3 |
| Disassembling your rifle or pistol..... | 4-6 |
| Assembling your rifle or pistol..... | 7 |
| Warranty | 8 |


 **WARNING:** ALWAYS BE SURE THE AIRGUN IS POINTED IN A SAFE DIRECTION.

 **WARNING:** THIS PRODUCT IS INTENDED FOR USE BY TRAINED PROFESSIONALS ONLY.

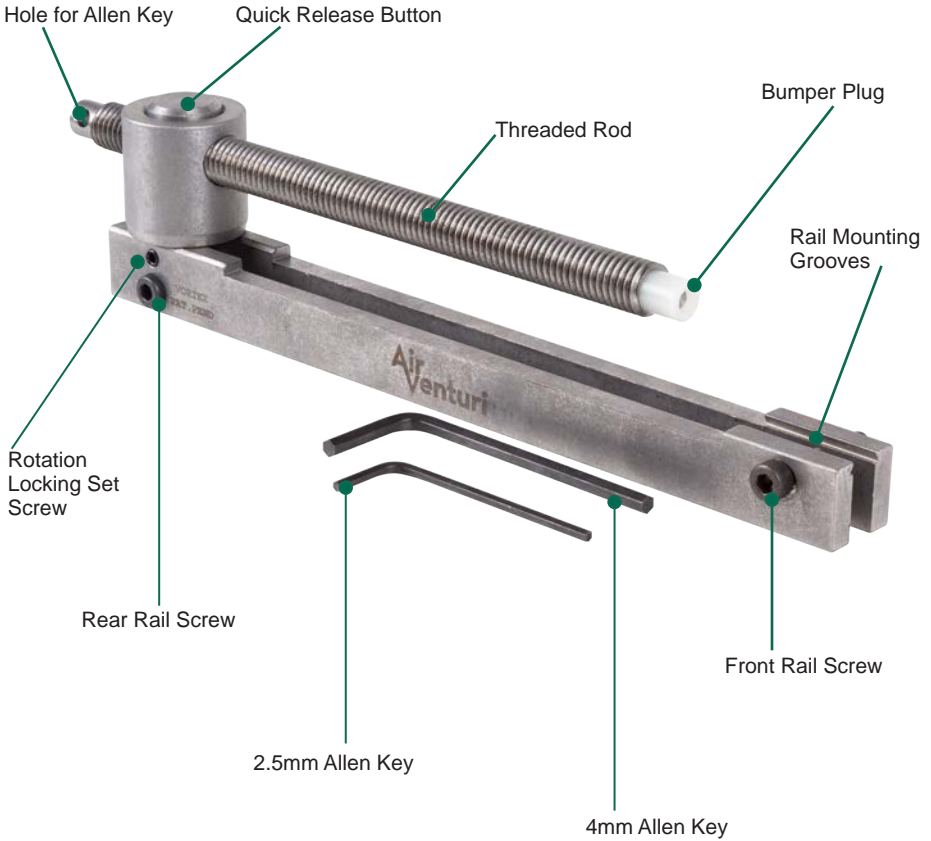
 **WARNING:** BEFORE ATTEMPTING TO USE THIS PRODUCT, MAKE SURE THAT YOUR AIR GUN IS UNLOADED AND THE SAFETY IS ENGAGED.

 **WARNING:** ALWAYS WEAR EYE PROTECTION AND PROPER PROTECTIVE CLOTHING WHEN OPERATING THIS UNIT.

 **WARNING:** DISASSEMBLING YOUR SPRING OR GAS PISTON AIR GUN MAY VOID THE MANUFACTURER'S WARRANTY.

 **WARNING:** THE USER IS RESPONSIBLE FOR KNOWING THE PROPER PROCEDURE AND METHOD TO DISASSEMBLE AND REASSEMBLE THEIR AIR GUN.

Parts of the Rail Lock™ Compressor



Disassembling Your Gun with the Rail Lock™

1) Remove the rifle or pistol action from the stock.



2) Slightly loosen the rotation locking set screw on the rear of the Rail Lock™ compressor by turning counter-clockwise.



3) Slightly loosen the rear rail screw on the Rail Lock™ compressor by turning counter-clockwise.

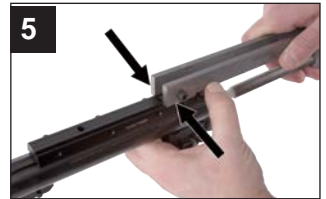


4) Loosen the front rail screw enough to fit the Rail Lock™ compressor onto the scope rail, by turning counter-clockwise.



NOTE: *Those guns with a weaver/picatinny rail will require loosening the front and rear rail screws more than those guns that use an 11mm dovetail.*

5) Align the grooved portion of the Rail Lock™ compressor with the rear of your rifle or pistol scope mounting rail. The entire grooved section of the Rail Lock™ compressor should engage your scope rail. You will want to mount the Rail Lock™ compressor as far to the rear of the scope rail as possible while maintaining full engagement of the grooved section.



6) Once properly aligned on the scope rail, tighten down the front and rear rail screws by turning clockwise. The Rail Lock™ compressor should now be tight on your scope mounting rail.



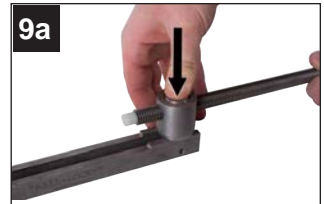
! WARNING: ALWAYS BE SURE THE AIRGUN IS POINTED IN A SAFE DIRECTION.

Disassembly with the Rail Lock™ (cont.)

7) Make sure that the threaded rod is properly aligned with the back of your rifle's compression tube. You may need to loosen the rear rail screw slightly to make minor angle adjustments for proper alignment.

8) Once proper alignment is achieved and the rail screws are tightened down to the scope rail, secure the rotational set screw at the rear of the Rail Lock™ compressor by turning it clockwise.

9) Depress the quick release button and slide the threaded rod forward until the bumper plug backs up to the end cap of your rifle or pistol compression tube (figs. 9a, 9b & 9c).



! WARNING: ENSURE THAT ALL SECURING SCREWS ON THIS UNIT ARE TIGHT BEFORE OPERATING THE UNIT AND DISASSEMBLING YOUR AIR GUN.

! WARNING: DO NOT STAND BEHIND THE RAIL LOCK™ UNIT WHEN ATTACHED TO YOUR AIR GUN. NEVER STAND BEHIND THE RAIL LOCK™ UNIT WHILE REMOVING OR INSTALLING THE SPRING OR GAS RAM.

10) Once the rod contacts the end cap, make sure it is firmly pressed against the end cap. To do this, turn the rod by inserting either of the included allen keys into the hole in the back of the rod to aid in turning. Once seated, be sure the quick release button is in the upward, locked position. If it is still depressed, give the rod a slight push or pull, the button should pop into the upward position at that point. To test the fit of the Rail Lock™ compressor, turn the rod clockwise further to put tension on the Rail Lock™ compressor, pay close attention to the rail mounting section as you apply more tension. If tightened properly, the unit should not move on the mounting rail. If there is movement, tighten the rail screws until secure.

Disassembly with the Rail Lock™ (cont.)

11) When the rod is properly positioned and secured, you will want to free the end cap by removing whatever pins/screws your gun has to retain the end cap. In order to do this, you will need to turn the rod via the allen key in the back of the rod clockwise (fig. 11a). This will remove the tension from the pins/screws and allow you to safely remove them (see fig. 11b). This step will vary from gun to gun, and it is essential the user understands how their gun disassembles to ensure a safe experience.



12) With the end cap is free, there will be tension on the threaded rod. Begin turning the rod counter-clockwise using the allen key to relieve the tension from the spring or gas ram. Continue turning the rod counter-clockwise until all tension is removed from the spring/gas piston and end cap.



! WARNING: NEVER DEPRESS THE QUICK RELEASE BUTTON WHILE THERE IS STILL TENSION IN THE SPRING/GAS PISTON AND ON THE RAIL LOCK™ UNIT. THIS MAY LEAD TO INJURY OR DAMAGE TO YOUR GUN.

13) Once you have removed all tension from the spring/gas ram, remove the Rail Lock™ compressor from the scope mounting rail on your gun to allow enough room to remove the spring and piston components. This is done by turning the front and rear rail screws counter-clockwise until the Rail Lock™ compressor can be lifted from the scope mounting rail. You may now remove the internals of your gun safely.



Assembling Your Gun with the Rail Lock™

1) Position the internal components of your rifle or pistol in the proper order in the compression tube.

2) Attach the Rail Lock™ compressor to the scope mounting rail on your gun following steps 2 through 9 in the disassembly section.

3) Once the threaded rod is aligned properly and slight pressure is applied to the end cap, begin turning the rod clockwise with the allen key through the hole in the back of the rod. This will begin to push the end cap into the rear of the compression tube and put tension back on the spring/gas ram.

4) Continue turning the rod clockwise until the end cap is entirely in the rear of the compression tube and any holes for the safety (if applicable) or securing pins (if applicable) are aligned properly.

5) Insert the securing pin(s) back into place (fig. 5a). Once they are back in position, slowly turn the threaded rod counter-clockwise to remove tension on the end cap (fig. 5b).



⚠ WARNING: PROCEED WITH CAUTION. SLOWLY TURN THE THREADED ROD COUNTER-CLOCKWISE TO RELEASE TENSION ON THE END CAP. DO NOT USE THE QUICK RELEASE BUTTON TO RELEASE TENSION ON THE END CAP.

⚠ WARNING: ALWAYS BE SURE THE AIRGUN IS POINTED IN A SAFE DIRECTION.

6) Once all tension is removed, you can remove the Rail Lock™ compressor and continue the reassembly process until the action is replaced into the stock for normal use. The reassembly process will vary from gun to gun.

Warranty

One-Year Limited Warranty

This product is warranted to the retail consumer for one year from date of retail purchase against defects in material and workmanship. In the unlikely event there are any defects in materials or workmanship in the first twelve (12) months after retail purchase, we will repair or replace the defective items under warranty.

What is covered:

Replacement parts and labor. Transportation charges to consumer for repaired product.

What is NOT covered:

- Transportation charges to Air Venturi for defective products.
- Any damage or faults caused by owner misuse, action or inaction.
- Damages caused by abuse or failure to perform normal maintenance.
- Any other expense.
- Parts subject to normal wear and tear.
- Consequential damages, incidental damages or incidental expenses including damage to property.

This warranty is in addition to your statutory rights. Retain your sales receipt as proof of purchase.

NOTE: *Some states do not allow the exclusion or limitation of incidental or consequential damages, so the above limitation or exclusion may not apply to you.*

Warranty claims:

Call Air Venturi at **216-220-1180** before returning any product.

Implied warranties:

Any implied warranties, including the implied warranties of merchantability and fitness for a particular purpose, are limited in duration to one year from date of retail purchase.

NOTE: *Some states do not allow limitations on how long an implied warranty lasts, so the above limitation may not apply to you.*

To the extent any provision of this warranty is prohibited by federal, state or municipal law which cannot be preempted, it shall not be applicable. This warranty gives you specific legal rights, and you may also have other rights which vary from state to state and country to country. Illustrations and photographs are for information purposes only and may not show the exact model purchased.

The warranty shall be invalid if the product:

- Has been incorrectly disassembled, reassembled or maintained.
- Has been fitted with non-Air Venturi parts.
- Has been abused, misused or improperly stored.
- Original purchase receipt cannot be presented.

Notes

Notes

Notes

Air venturi

The Power of Air

AIR VENTURI

5135 Naiman Parkway, Cleveland, OH 44139

216-292-2570 • fax 216-373-0086