



MODEL STINGER S32P Soft Air Rifle 6mm Plastic BBs

OWNER'S MANUAL

READ ALL INSTRUCTIONS AND WARNINGS IN THIS MANUAL BEFORE USING THIS SOFT AIR RIFLE

Distributed by
Crosman Corporation
7629 Routes 5 & 20,
East Bloomfield, NY 14443
www.crosman.com
1-800-7AIRGUN or 1-800-724-7486

SASS32PA515

WARNING: Not a toy. Adult supervision required. Misuse or careless use may cause serious injury, particularly to the eye. May be dangerous up to 100 yards (91.44 meters).

WARNING: Do not brandish or display this soft air gun in public – it may confuse people and may be a crime. Police and others may think it is a firearm. Do not change the coloration and markings to make it look more like a firearm. That is dangerous and may be a crime.

YOU AND OTHERS WITH YOU SHOULD ALWAYS WEAR SHOOTING GLASSES TO PROTECT YOUR EYES.

READ ALL INSTRUCTIONS BEFORE USING.

BUYER AND USER HAVE THE DUTY TO OBEY ALL LAWS ABOUT THE USE AND OWNERSHIP OF THIS SOFT AIR RIFLE.

THIS SOFT AIR RIFLE IS INTENDED FOR USE BY THOSE 16 YEARS OF AGE OR OLDER.

Please read this owner's manual completely. Remember, to treat this soft air rifle with the same respect you would a firearm. Always carefully follow the safety instructions found in this owner's manual and keep this manual in a safe place for future use.

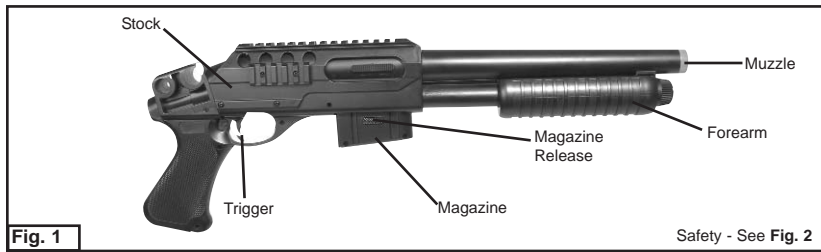
If you have any questions, regarding your new soft air rifle, please contact Crosman Customer Service at 1-800-724-7486, 585-657-6161 or www.crosman.com.

STEPS FOR SAFE SHOOTING

1. Learning The Parts Of Your New Soft Air Rifle
2. Operating the Safety
3. Loading And Unloading Plastic BBs
4. Pumping Your Soft Air Rifle
5. Aiming and Firing Safely
6. Maintaining Your Soft Air Rifle
7. Reviewing Safety

1. Learning the Parts of Your New Soft Air Rifle

Learning the names of the parts of your new soft air rifle will help you to understand your owner's manual. Use this manual to increase your enjoyment of this soft air rifle.



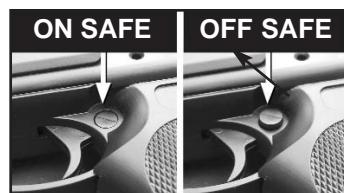
2. Operating the Safety

WARNING: Keep the soft air rifle in the "ON SAFE" position until you are actually ready to shoot.

2.1 To Put the soft air gun "ON SAFE":

- Locate the safety directly behind the trigger.
- Push the safety from the left side all the way in (Fig. 2). The safety is not "ON SAFE" unless it is pushed all the way in and the RED ring around the left side of the safety is NOT showing.

Like all mechanical devices, a soft air gun safety can fail. Even when the safety is "ON SAFE", you should continue to handle the soft air gun safely. NEVER point the soft air gun at any person. NEVER point the soft air gun at anything you do not intend to shoot.



2.2. To Take the soft air gun "OFF SAFE":

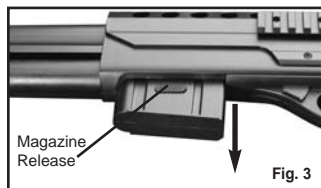
- Push the safety from the right side all the way in. When you can see the RED ring around the left side of the safety, the airgun is "OFF SAFE" and can be fired.

3. Loading and Unloading Plastic BBs

WARNING: Use 6 mm plastic BBs only in this soft air rifle. Use of any other ammunition can cause injury to you or damage to the soft air rifle.

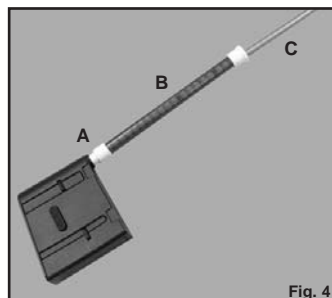
3.1 Loading Plastic BBs

- Make sure the soft air rifle is "ON SAFE" (See Step 2.1).
- Point the soft air rifle in a SAFE DIRECTION.
- Release the BB magazine by pushing in on the magazine release tabs on both sides of the magazine (Fig. 3).
- Take the BB loader and place on the magazine (Fig. 4A).
- If the inner rod is inside the loader, remove.
- Pour plastic BBs in to the loader (Fig. 4B).
- Using the inner rod, push the BBs into the magazine (Fig 4C).
- Remove the BB loader.
- Insert the magazine into the soft air gun making sure it clicks in place.



3.2 Unloading Plastic BBs

- Make sure the muzzle is pointed in a SAFE DIRECTION
- Press the magazine release button to release the magazine.
- Do not put the clip back in the gun.
- Follow section 4 on pumping the soft air gun.
- After reading section 5 on aiming and firing safely, take the gun "OFF SAFE" and pull the trigger.
- Repeat these steps until you are no longer firing plastic BBs.
- Put the soft air gun back "ON SAFE".



WARNING: Never assume that because the soft air rifle no longer fires a plastic BB and or the clip is removed, that a plastic BB is not lodged in the barrel. Always treat the soft air rifle as though it is loaded and with the same respect you would a firearm.

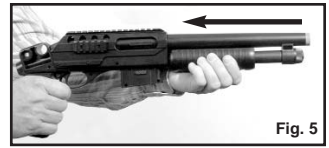
4. Pumping Your Soft Air Rifle

WARNING: Always hold the forearm firmly when you pump it to prevent possible injury.

- Put the soft air gun "ON SAFE". (See Step 2A)

WARNING: Never pump your soft airgun more than once. Over-pumping can cause major damage to your soft air gun.

- Holding the forearm firmly, pull it all the way back. Do not twist the forearm while pumping. Use a straight stroke to prevent breakage (Fig. 5).
- Return the forearm to the original closed position with a smooth stroke. Be sure to hold the forearm firmly as you close it.



NOTE: You must follow the procedure for pumping and firing your soft air gun each time you shoot.

5. Aiming and Firing Safely

5.1 Aiming Safely

- You and others with you should always wear shooting glasses to protect your eyes.
- Always aim your soft air rifle in a SAFE DIRECTION. When you are sure of your target and backstop, and the area around the target is clear, pump the soft air rifle (See Step 4), take "OFF SAFE" (See Step 2.2) and squeeze the trigger to fire.
- Do not shoot at hard surfaces or at the surface of water. The plastic BBs may bounce off or ricochet and hit someone or something you had not intended to hit. If the plastic BBs should happen to hit a hard surface, DO NOT reuse those plastic BBs because they could cause possible damage to your soft air rifle.
- Always choose your target carefully. It is best to shoot at targets, which are attached to a safe backstop. Your backstop should be checked for wear before and after each use. Replace your backstop if the surface is worn or damaged, or if a ricochet occurs.
- Your soft air rifle is designed for target shooting and is suited for both indoor and outdoor use. Always remember to place your target carefully. THINK about what you will hit if you miss the target, or if the plastic BB ricochets.

5.2 Firing Safely

- Make sure the soft air rifle is "ON SAFE" (See Step 2.1).
- Point the soft air rifle in a SAFE DIRECTION.
- Follow section 4 on pumping the soft air gun.
- After reading section 5 on aiming and firing safely, take the soft air gun "OFF SAFE" and pull the trigger.
- Repeat these steps until you are no longer firing plastic BBs.
- Put the soft air gun back "ON SAFE".
- Remove the magazine.

6. Maintaining Your Soft Air Rifle

- Tampering with the soft air rifle or attempts to change the soft air rifle in any way may make it unsafe to use, cause injury particularly to the eye, and will void the warranty.
- If you drop your soft air rifle, check to see that it works properly before you use it again. If anything seems changed, like a shorter or weaker trigger pull, this may mean worn out or broken parts. Call Customer Service at Crosman for assistance before using your soft air rifle again.

7. Reviewing Safety

- Do not ever point the soft air rifle at any person. Do not ever point the soft air rifle at anything you do not intend to shoot.
- Always treat the soft air rifle as though it is loaded and with the same respect you would a firearm.
- Always aim in a SAFE DIRECTION. Always keep the muzzle of the soft air rifle pointed in a SAFE DIRECTION.
- Always keep the soft air rifle "ON SAFE" until you are ready to shoot in a SAFE DIRECTION.
- Always check to see if the soft air rifle is "ON SAFE" and unloaded when getting it from another person or from storage.
- Always keep your finger off the trigger and out of the trigger guard until ready to shoot.
- If your reading or prescription glasses are not safety glasses make sure you wear shooting glasses over your regular glasses.
- Use 6 mm plastic BBs only.
- Do not shoot at hard surfaces or at the surface of water. The plastic BBs may bounce off or ricochet and hit someone or something you had not intended to hit. If the plastic BBs should happen to hit a hard surface, DO NOT reuse those plastic BBs because they could cause possible damage to your soft air rifle.
- Replace the backstop if it becomes worn. Place the backstop in a location that will be safe should the backstop fail.
- Do not attempt to disassemble or tamper with your soft air rifle. Call Customer Service at Crosman Corporation for repair.
- Do not put the soft air rifle away loaded. Make sure ALL of the plastic BBs are unloaded from the soft air rifle (See Step 3.2).
- Always store this soft air rifle in a secure location.

SPECIFICATIONS

Mechanism/Action	Single shot spring pump	Overall length	20.5 in. (52.07 cm)
Caliber/Ammunition	6mm plastic BBs	Safety	Cross bolt
Magazine Capacity	Up to 17 plastic BBs	Velocity	Up to 350 fps (106.7 m/s)
Barrel Material	Smooth bore aluminum	PERFORMANCE	
Weight	2.98 lbs. (1.33 kg)	Many factors affect velocity, including brand of projectile, type of projectile and barrel condition.	

REPAIR SERVICE

If your soft air rifle needs repair, we recommend that you call Crosman Corporation Customer Service at 1-800-724-7486 or 585-657-6161 or visit our web site at www.crosman.com. (International customers should contact their distributor.) DO NOT ATTEMPT TO DISASSEMBLE IT! Your soft air gun requires special tools and fixtures to repair it. Any disassembly or modification not performed by an Authorized Service Station will void the warranty and could be dangerous.

LIMITED 30-DAY WARRANTY

This product is warranted to the retail consumer for 30 days from date of retail purchase against defects in material and workmanship and is transferable. You should retain the original sales receipt as record of date of purchase.

WHAT IS COVERED

Replacement parts and labor. Transportation charges to consumer for repaired product.

WHAT IS NOT COVERED

Transportation charges to Crosman for product. Damages caused by abuse or failure to perform normal maintenance. (See Step 6) Any other expense. CONSEQUENTIAL DAMAGES, INCIDENTAL DAMAGES, OR INCIDENTAL EXPENSES, INCLUDING DAMAGE TO PROPERTY. SOME STATES DO NOT ALLOW THE EXCLUSION OR LIMITATION OF INCIDENTAL OR CONSEQUENTIAL DAMAGES, SO THE ABOVE LIMITATION OR EXCLUSION MAY NOT APPLY TO YOU.

WARRANTY CLAIMS

USA Customers: Attach your name, address, description of problem, phone number and copy of sales receipt to product. Package and return to Crosman Corporation, Rts. 5&20, E. Bloomfield, NY 14443.
Canadian Customers: Follow packaging procedures above and send to Crosman Parts & Service Depot, 611 Neal Drive, Peterborough, Ontario K9J 6X7 Canada.

International Customers: Please return product to your nearest distributor. If you do not know your distributor, please call 585-657-6161 and ask for our International Department for assistance.

IMPLIED WARRANTIES

ANY IMPLIED WARRANTIES, INCLUDING THE IMPLIED WARRANTIES OF MERCHANTABILITY AND FITNESS FOR A PARTICULAR PURPOSE, ARE LIMITED IN DURATION TO ONE YEAR FROM DATE OF RETAIL PURCHASE. SOME STATES DO NOT ALLOW LIMITATIONS ON HOW LONG AN IMPLIED WARRANTY LASTS, SO THE ABOVE LIMITATIONS MAY NOT APPLY TO YOU.

To the extent any provision of this warranty is prohibited by federal, state, or municipal law which cannot be preempted, it shall not be applicable. This warranty gives you specific legal rights, and you may also have other rights which vary from state to state and country to country.



MODELO STINGER S32P

Rifle de aire suave

Municiones de plástico de 6 mm

MANUAL DEL PROPIETARIO

LEA TODAS LAS INSTRUCCIONES Y ADVERTENCIAS DE ESTE MANUAL ANTES DE USAR ESTE RIFLE DE AIRE SUAVE

Distribuido por
Crosman Corporation
7629 Routes 5 & 20,
East Bloomfield, NY 14443
www.crosman.com
1-800-7AIRGUN or 1-800-724-7486

SASS32PA515

ADVERTENCIA: No es un juguete. Es necesario contar con la supervisión de un adulto. El uso inapropiado o descuidado puede causar lesiones graves, en particular a los ojos. Puede ser peligroso hasta a 91.44 metros (100 yardas).

ADVERTENCIA: No blanda ni muestre este producto en público - puede confundir a la gente y puede ser delito. La policía y otras personas pueden pensar que se trata de un arma de fuego. No cambie la coloración o las marcas de modo que tenga un mayor parecido con un arma de fuego. Es peligroso y podría tratarse de un delito.

USTED Y LAS DEMÁS PERSONAS DEBEN USAR SIEMPRE LENTES DE TIRO PARA PROTEGER SUS OJOS.

LEA TODAS LAS INSTRUCCIONES ANTES DE USARLA.

EL COMPRADOR Y EL USUARIO TIENEN EL DEBER DE OBEDECER TODAS LAS LEYES RELATIVAS AL USO Y PROPIEDAD DE ESTE RIFLE DE AIRE SUAVE.

ESTE RIFLE DE AIRE SUAVE ESTÁ HECHO PARA SER USADO POR PERSONAS DE 16 AÑOS DE EDAD O MAYORES.

Por favor lea completo este manual del usuario. Trate este rifle de aire suave con el mismo respeto que le tendría a un arma de fuego. Siempre siga cuidadosamente las instrucciones de seguridad que se encuentran en este manual del propietario y consérvelo en lugar seguro para utilizarlo en el futuro.

Si tiene preguntas sobre su nuevo rifle de aire suave, comuníquese con Servicio al cliente de Crosman al 1-800-724-7486, al 585-657-6161 o a www.crosman.com.

PASOS PARA DISPARAR CON SEGURIDAD

1. Aprender las partes de su nuevo rifle de aire suave.
2. Operación del seguro
3. Carga y descarga de las municiones de plástico
4. Bombeo de la rifle de aire suave
5. Apuntar y disparar con seguridad
6. Mantenimiento del rifle de aire suave
7. Revisión de seguridad

1. Aprender las partes de su nuevo rifle de aire suave

Aprenderse los nombres de las partes de su nuevo rifle de aire suave le ayudará a entender su manual del propietario. Use este manual para aumentar su disfrute de este rifle de aire suave.



Fig. 1

Seguridad - See Fig. 2A

2. Operación del seguro

ADVERTENCIA: Mantenga el rifle de aire suave en la posición "ON SAFE" (seguro activado) hasta que esté totalmente listo para disparar.

2.1 Para activar el seguro del rifle de aire suave ("ON SAFE"):

- Encuentre el seguro que está directamente detrás del gatillo.
- Empuje el seguro desde el lado izquierdo introduciéndolo por completo (Fig. 2).

El seguro no está "ON SAFE" (activado) a menos que se haya presionado completamente hacia adentro y NO se vea el anillo ROJO que está alrededor del lado izquierdo del seguro.

Como todos los dispositivos mecánicos, el seguro de los rifles de aire suaves puede fallar. Incluso con el seguro activado ("ON SAFE"), debe seguir manipulando con seguridad el rifle de aire suave. NUNCA apunte el rifle de aire suave a una persona. NUNCA apunte con el rifle de aire suave a nada a lo que no tenga intención de dispararle.

2.2. Para desactivar el seguro del rifle de aire suave ("OFF SAFE"):

- Empuje totalmente hacia adentro el seguro desde el lado derecho. Cuando pueda ver el anillo ROJO alrededor del lado izquierdo del seguro, la rifle de aire está "OFF SAFE" (con seguro desactivado) y puede dispararse (Fig. 2).

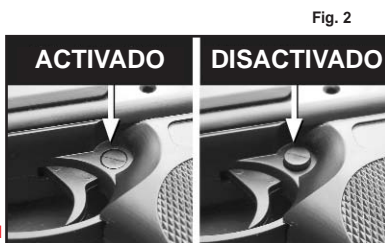


Fig. 2

3 Carga y descarga de las municiones de plástico

ADVERTENCIA: Use solamente municiones de plástico calibre .24 (6 mm) en esta rifle de aire suave. El uso de cualquier otro tipo de munición puede causarle lesiones o dañar la rifle de aire suave.

3.1 Carga de las municiones de plástico

- Asegúrese de que el seguro del rifle de aire suave esté activado ("ON SAFE") (vea el paso 2.1).
- Apunte el rifle de aire suave en una DIRECCIÓN SEGURA.
- Libere el cargador de municiones presionando las pestañas de liberación del cargador a ambos lados de éste (Fig. 3).
- Tome el elemento de carga de municiones y colóquelo en el cargador como se muestra (Fig. 4A).
- Si la varilla interior está dentro del cargador, quítela.
- Vierta municiones de plástico en el cargador (Fig. 4B).
- Con la varilla interior, empuje las municiones para que entren en el cargador (Fig 4C).
- Quite el elemento de carga de municiones.
- Introduzca el cargador en el rifle de aire suave, asegurándose que entre en su sitio con un clic.

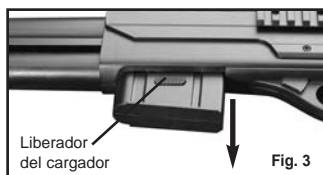


Fig. 3

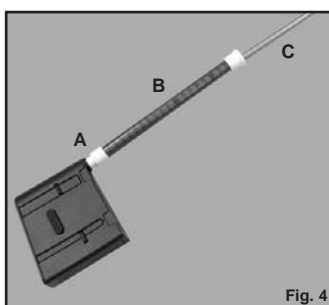


Fig. 4

3.2 Descarga de las municiones de plástico:

- Asegúrese de que el cañón esté apuntado en DIRECCIÓN SEGURA.
- Oprima el botón de liberación del cargador para liberarlo.
- No ponga el cargador de nuevo en el arma.
- Siga la sección 4 para bombear el rifle de aire suave.
- Después de leer la sección 5 sobre cómo apuntar y disparar con seguridad, desactive el seguro ("OFF SAFE") del rifle y tire del gatillo.
- Repita estos pasos hasta que ya no esté disparando municiones.
- Ponga el rifle de aire suave nuevamente "ON SAFE" (Seguro activado).

ADVERTENCIA: Nunca parta de la base de que, debido a que el rifle de aire suave ya no dispara una munición de plástico o se, no hay una munición de plástico alojada en el cañón. Siempre trate el rifle de aire suave como si estuviera cargado y con el mismo respeto que le tendría a un arma de fuego.

4. Bombeo de la rifle de aire suave

ADVERTENCIA: Siempre sostenga el guardamano con firmeza al bombearlo para evitar una posible lesión.

- Active el seguro del rifle de aire suave ("ON SAFE"): (Vea el Paso 2A)

ADVERTENCIA: Nunca bombee el rifle de aire suave más de una vez. El exceso de bombeo puede ocasionarle graves daños al rifle de aire suave.

- Sosteniendo el guardamano con firmeza, tire de él completamente hacia atrás. No retuerza el guardamano al bombear. Use un movimiento recto para evitar que se rompa (Fig. 5).
- Devuelva el guardamano a la posición cerrada original con un movimiento uniforme. Cuide de sostener firmemente el guardamano al cerrarlo.



Fig. 5

NOTA: Debe seguir el procedimiento para bombear y disparar el rifle de aire suave cada vez que dispare.

5. Apuntar y disparar con seguridad

5.1 Apuntar y disparar con seguridad

- Usted y las demás personas deben siempre usar anteojos de tiro para proteger sus ojos.
- Apunte siempre el rifle de aire suave en una DIRECCIÓN SEGURA. Cuando esté seguro de su blanco y respaldo, y no haya gente en el área alrededor del blanco, bombee el rifle de aire suave (vea el paso 4), desactive el seguro ("OFF SAFE") (vea el paso 2.2) y oprima el gatillo para disparar.
- No dispare a superficies duras o a la superficie del agua. Las municiones de plástico pueden rebotar y golpear a alguien o algo que usted no tenga intención de golpear. Si las municiones de plástico llegan a golpear una superficie dura, NO reutilice tales municiones de plástico, ya que podrían causar daños a su rifle de aire suave.
- Elija siempre su blanco con cuidado. Es mejor disparar contra dianas de papel fijas a un respaldo seguro. Debe revisarse el desgaste del respaldo antes y después de cada uso. Reemplace el respaldo si la superficie está desgastada o dañada, o si rebota la munición.
- El rifle de aire suave está diseñado para tiro al blanco y es adecuada para usarse bajo techo o al aire libre. Recuerde siempre colocar su blanco con cuidado. PIENSE en lo que puede golpear si no atina al blanco o si la munición de plástico rebota.

5.2 Disparar

- Asegúrese de que el seguro del rifle de aire suave esté activado ("ON SAFE") (vea el paso 2.1).
- Apunte el rifle de aire suave en una DIRECCIÓN SEGURA.
- Siga la sección 4 para bombear el rifle de aire suave.
- Después de leer la sección 5 sobre cómo apuntar y disparar con seguridad, desactive el seguro ("OFF SAFE") del rifle y tire del gatillo.
- Repita estos pasos hasta que ya no esté disparando municiones.
- Ponga el rifle de aire suave nuevamente "ON SAFE" (Seguro activado).
- Quite el cargador.

6. Mantenimiento de la rifle de aire suave

- Forzar la rifle de aire suave o intentar modificarla de cualquier manera pueden hacer su uso inseguro, ocasionar lesiones, principalmente en los ojos, y anularán la garantía.
- Si la rifle de aire suave se cae, revise que funcione correctamente antes de volverla a usar. Si parece que cualquier cosa ha cambiado, como que el gatillo esté más suave o más duro, puede ser indicación de piezas desgastadas o rotas. Llame al Servicio al cliente de Crosman para obtener ayuda antes de volver a usar su rifle de aire suave.

7. Revisión de seguridad

- No apunte nunca la rifle de aire suave hacia ninguna persona. No apunte nunca la rifle de aire suave hacia nada a lo que vaya a dispararle.
- Siempre trate la rifle de aire suave como si estuviera cargada y con el mismo respeto que le tendría a un arma de fuego.
- Apunte siempre en una DIRECCIÓN SEGURA. Mantenga siempre el cañón de la rifle de aire suave apuntado en una DIRECCIÓN SEGURA.
- Mantenga siempre la pistola de aire con el seguro activado ("ON SAFE") hasta que esté listo para disparar en una DIRECCIÓN SEGURA.
- Siempre compruebe que la rifle de aire suave tenga el seguro activado (ON SAFE) y esté descargada al recibirla de otra persona o al sacarla después de estar guardada.
- Mantenga siempre el dedo apartado del gatillo y fuera del guardamonte hasta que esté listo para disparar.
- Si sus lentes de lectura o para ver no son de seguridad, cuide de usar anteojos de tiro encima de sus lentes normales.
- Use solamente municiones de plástico de 6 mm.
- No dispare a superficies duras o a la superficie del agua. Las municiones de plástico pueden rebotar y golpear a alguien o algo que usted no tenga intención de golpear. Si las municiones de plástico llegan a golpear una superficie dura, NO reutilice tales municiones de plástico, ya que podrían causar daños a su rifle de aire suave.
- Reemplace el respaldo si se desgasta. Coloque el respaldo en un lugar que sea seguro en caso de que falle el respaldo.
- No intente desarmar la rifle de aire suave ni la manipule indebidamente. Llame al Servicio al cliente de Crosman Corporation para que lo repare.
- No guarde la rifle de aire suave cargada. Asegúrese de que TODAS las municiones de plástico se hayan descargado de la rifle de aire suave. (Vea el Paso 3.2)
- Siempre almacene esta rifle de aire suave en un sitio seguro.

ESPECIFICACIONES:

Mecanismo:	De un tiro, Bomba de resorte	Longitud total:	20.5 in. (52.07 cm)
Calibre/Munición:	Munición de plástico de 6 mm	Seguro:	Perno cruzado
Capacidad:	Hasta 17 municiones de plástico	Velocidad:	hasta 106.7 m/s (350 fps)
Cañón:	Aluminio de alma lisa		
Peso:	2.98 lbs. (1.33 Kg.)		

DESEMPEÑO

Hay muchos factores que afectan la velocidad, incluida la marca del proyectil, el tipo de proyectil y las condiciones del cañón.

SERVICIO DE REPARACIONES

Si su rifle de aire suave necesita reparación, le recomendamos que hable al servicio al cliente de Crosman Corporation al 1-800-724-7486 o al 585-657-6161, o que visite nuestro sitio Web en www.crosman.com. (Los clientes internacionales deben ponerse en contacto con su distribuidor.) ¡NO INTENTE DESARMARLO! El rifle de aire suave requiere de herramientas y accesorios especiales para repararlo. Si lo desarma o modifica cualquier persona que no sea una Estación de servicio autorizada, se anulará la garantía y podría ser peligroso.

GARANTÍA LIMITADA DE 30 DÍAS

Este producto está garantizado para el comprador al menudeo durante 30 días partir de la fecha de compra al menudeo contra defectos en materiales y mano de obra, y es transferible. Debe conservar el recibo de ventas original como registro de la fecha de compra.

QUÉ ESTÁ CUBIERTO

Refacciones y mano de obra. Se carga el transporte del producto reparado al consumidor.

QUÉ NO ESTÁ CUBIERTO

Los cargos de transporte del producto a Crosman. Los daños ocasionados por el abuso o negligencia en la realización del mantenimiento normal. (Vea el Paso 6) Cualquier otro gasto. DAÑOS CONSECUCIONALES, DAÑOS INCIDENTALES, GASTOS INCIDENTALES INCLUIDOS LOS DE DAÑOS A LA PROPIEDAD. ALGUNOS ESTADOS NO PERMITEN LA EXCLUSIÓN O LIMITACIÓN DE DAÑOS INCIDENTALES O CONSECUCIONALES, DE MODO QUE ES POSIBLE QUE LA LIMITACIÓN O EXCLUSIÓN ANTES SEÑALADA NO SE LE APLIQUE A USTED.

RECLAMACIONES DE GARANTÍA

Clientes de los EE.UU.: Adjunte al producto su nombre, dirección, descripción del problema, número de teléfono y copia del recibo de ventas. Empáquelo y devuélvalo a Crosman Corporation, Rts. 5&20, E. Bloomfield, NY 14443.

Clientes canadienses: Siga las indicaciones de empaque antes indicadas y envíelo a Crosman Parts & Service Depot, 611 Neal Drive, Peterborough, Ontario K9J 6X7 Canadá

Clientes internacionales: Devuelva el producto a su distribuidor más cercano. Si no conoce a su distribuidor, llame al 585-657-6161 y pida hablar con nuestro departamento internacional (International Department) para obtener ayuda.

GARANTÍAS IMPLÍCITAS

CUALQUIER GARANTÍA IMPLÍCITA, INCLUIDAS LAS GARANTÍAS IMPLÍCITAS DE COMERCIABILIDAD Y ADECUACIÓN PARA UN PROPÓSITO EN PARTICULAR TIENEN UNA DURACIÓN LIMITADA DE UN AÑO A PARTIR DE LA FECHA DE LA COMPRA AL MENEDEO. ALGUNOS ESTADOS NO PERMITEN LIMITACIONES SOBRE LA DURACIÓN DE UNA GARANTÍA IMPLÍCITA, DE MODO QUE ES POSIBLE QUE ESTAS LIMITACIONES NO SE LE APLIQUEN A USTED.

En la medida en que cualquier disposición de esta garantía esté prohibida por una ley federal, estatal o municipal que no pueda invalidarse, no será aplicable. Esta garantía le otorga derechos legales concretos y es posible que usted tenga también otros derechos que varían según el estado o país.



MODÈLE STINGER S32P

Fusil Soft Air

BB plastique 6mm

GUIDE D'UTILISATION

LISEZ TOUTES LES DIRECTIVES ET LES AVERTISSEMENTS CONTENUS DANS CE GUIDE AVANT D'UTILISER CE FUSIL SOFT AIR

Distribué par
Crosman Corporation
7629 Routes 5 & 20,
E. Bloomfield, NY 14443
www.crosman.com
1-800-7AIRGUN

SASS32PA515

AVERTISSEMENT: Ceci n'est pas un jouet. La supervision d'un adulte est requise. Un usage inapproprié ou irréfléchi peut causer une blessure grave, particulièrement aux yeux. Peut être dangereux jusqu'à une distance de 91.44 mètres (100 yards).

AVERTISSEMENT: NE PAS BRANDIR OU EXPOSER CE PRODUIT EN PUBLIC – CELA POURRAIT PORTER À CONFUSION AUPRÈS DES GENS ET PEUT CONSTITUER UN CRIME. LES POLICIERS ET AUTRES GENTS PEUVENT CROIRE QUE CE PISTOLET À AIR EST UNE ARME À FEU. NE PAS CHANGER LA COLORATION ET LE MARQUAGE POUR QU'IL RESSEMBLE DAVANTAGE À UNE ARME À FEU. CELA PEUT S'AVÉRER DANGEREUX ET CONSTITUER UN CRIME.

VOUS ET TOUTES PERSONNES PRÈS DE VOUS DEVRIEZ TOUJOURS PORTER DES LUNETTES DE PROTECTION.

LISEZ TOUTES LES DIRECTIVES AVANT L'UTILISATION.

L'ACHETEUR ET L'UTILISATEUR SONT TENUS DE SE CONFORMER À TOUTES LES LOIS RELATIVES À L'USAGE ET LA PROPRIÉTÉ DE CE FUSIL SOFT AIR

CE FUSIL SOFT AIR EST RÉSERVÉ À L'USAGE DES PERSONNES ÂGÉES DE 16 ANS ET PLUS.

Veillez lire entièrement ce guide d'utilisation. Rappelez-vous de manipuler ce fusil soft air avec autant de précaution que vous le feriez pour une arme à feu. Suivez toujours attentivement les consignes de sécurité contenues dans ce guide d'utilisation et conservez-le en lieu sûr pour une consultation ultérieure.

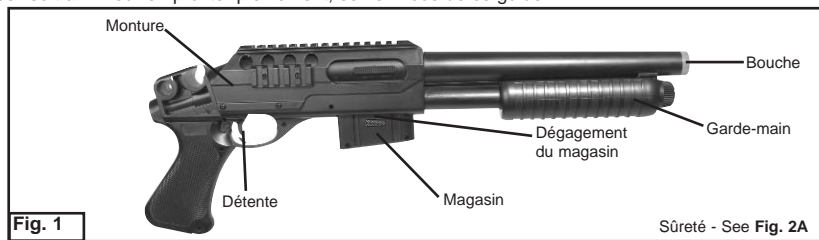
Pour toutes questions concernant votre nouveau fusil soft air, veuillez communiquer avec le Service à la clientèle Crosman à : 1-800-724-7486, 585-657-6161 ou www.crosman.com.

ÉTAPES POUR TIRER EN TOUTE SÉCURITÉ

1. Connaître les parties de votre nouveau fusil Soft Air
2. Comment utiliser le cran de sûreté
3. Comment charger et décharger les BB de plastique
4. Comment pomper votre fusil Soft Air
5. Comment viser et tirer en sécurité
6. Comment entretenir votre fusil Soft Air
7. Réviser les règles de sécurité

1. Connaître les parties de votre nouveau fusil Soft Air

Vous comprendrez mieux votre guide d'utilisation si vous connaissez le nom des parties qui composent votre nouveau fusil soft air. Pour en profiter pleinement, servez-vous de ce guide.



2. Comment utiliser le cran de sûreté

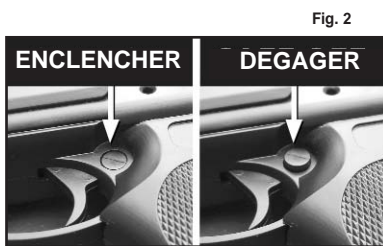
AVERTISSEMENT: Laissez le cran de sûreté enclenché (ON) jusqu'à ce que vous soyez vraiment prêt à tirer.

2.1 Pour enclencher la sûreté (ON)

- Trouvez le cran de sûreté situé juste derrière la détente.
- Poussez le cran de sûreté jusqu'au bout à partir du côté gauche (Fig. 2).

La sûreté n'est pas enclenchée (ON) à moins que le cran de sûreté soit poussé à fond et que le cercle rouge sur le côté gauche de la sûreté ne soit PLUS VISIBLE.

Comme tout mécanisme, il est possible que le dispositif de sûreté fasse défaut. Même quand le cran de sûreté est enclenché, vous devez continuer à manipuler le fusil soft air avec précaution. Ne pointez JAMAIS le fusil soft air vers quelqu'un. Ne pointez JAMAIS le fusil soft air en direction de quelque chose que vous n'avez pas l'intention d'atteindre.



2.2. Pour dégager la sûreté (OFF)

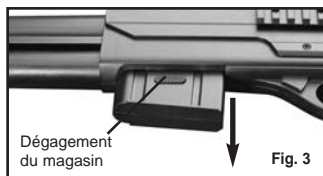
- Poussez le cran de sûreté jusqu'au bout à partir du côté droit. Lorsque vous pouvez voir le cercle ROUGE sur le côté gauche du cran de sûreté, la sûreté est dégagée (OFF) et vous pouvez tirer (Fig. 2).

3 Comment charger et décharger les BB de plastique

AVERTISSEMENT: N'utilisez que des BB plastique dans ce fusil soft air. L'utilisation de toute autre munition peut causer une blessure corporelle ou endommager votre fusil soft air.

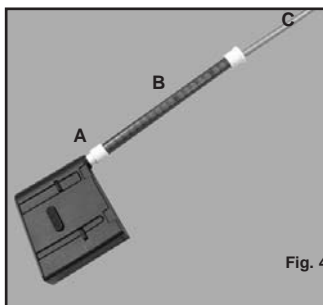
3.1 Pour charger les BB plastique

- Assurez-vous que le cran de sûreté est enclenché (ON). (voir Étape 2.1)
- Pointez le fusil vers un ENDROIT SÛR.
- Retirez le magasin de BB en pressant vers l'intérieur les languettes de dégagement situées de chaque côté du magasin (Fig. 3).
- Placez le chargeur de BB sur le magasin tel qu'illustré (Fig. 4A).
- Si la baguette interne est dans le chargeur, retirez-la.
- Versez les BB de plastique dans le chargeur (Fig. 4B).
- Poussez les BB dans le magasin à l'aide de la baguette interne (Fig. 4C).
- Retirez le chargeur de BB.
- Insérez le magasin dans le fusil soft air en vous assurant qu'il soit bien enclenché.



3.2 Pour décharger les BB plastique

- Assurez-vous que le cran de sûreté est enclenché et que la bouche pointe vers un ENDROIT SÛR.
- Pressez le bouton de dégagement du magasin pour le libérer.
- Ne remplacez pas la lame-chargeur dans le fusil.
- Suivant les directives de la section 4 sur le pompage du fusil soft air.
- Après avoir lu la section 5 "Comment viser et tirer en sécurité", dégagez le cran de sûreté (OFF) et appuyez sur la détente.
- Répétez ces étapes jusqu'à ce que vous ne tiriez plus de BB plastique.
- Remplacez la sûreté en position " enclenchée " (ON).



AVERTISSEMENT: Ne présumez jamais, parce que le fusil soft air ne tire plus de BB et/ou que le chargeur est retiré, qu'il n'y a pas une balle logée dans le canon. Manipulez toujours votre fusil soft air comme s'il était chargé et avec autant de précaution que vous le feriez pour une arme à feu.

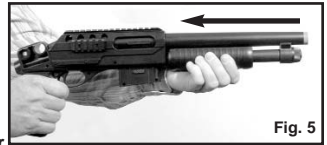
4. Comment pomper votre fusil Soft Air

AVERTISSEMENT: Tenez toujours fermement le garde-main pendant que vous le pompez pour éviter toute possibilité de blessure.

- Enclenchez le cran de sûreté (ON). (Voir Étape 2A)

AVERTISSEMENT: Ne pompez jamais votre fusil soft air plus d'une fois. Un pompage excessif peut causer de sérieux dommages à votre fusil soft air.

- En tenant fermement le garde-main, ramenez-le complètement vers l'arrière. N'exercez aucun mouvement de rotation pendant le pompage. Faites des battements droits pour éviter un bris (Fig. 5).
- Ramenez le garde-main à sa position fermée initiale en effectuant une légère poussée. Assurez-vous de tenir fermement le garde-main pendant la fermeture.



REMARQUE: Vous devez suivre les directives pour le pompage et le tir chaque fois que vous utilisez votre fusil soft air.

5. Comment viser et tirer en toute sécurité

5.1 Pour viser et tirer en sécurité

- Vous et toutes personnes près de vous devriez toujours porter des lunettes de protection.
- Pointez toujours le fusil soft air vers un ENDROIT SÛR. Lorsque vous êtes sûr de votre cible et du dispositif d'arrêt, et qu'il n'y a rien dans l'entourage de la cible, pompez le fusil soft air (voir Étape 4), DÉGAGEZ LA SÛRETÉ (voir Étape 2.2) et appuyez sur la détente pour faire feu.
- Ne tirez pas sur des surfaces dures ou sur la surface de l'eau. Les balles BB peuvent bondir ou ricocher en direction d'une personne ou de quelque chose que vous n'avez pas l'intention d'atteindre. S'il arrive que les balles BB frappent une surface dure, ne réutilisez PAS ces balles car elles peuvent endommager votre fusil soft air.
- Choisissez toujours votre cible avec précaution. Il est préférable de tirer sur des cibles munies d'un pare-balles fiable. L'état d'usure de votre pare-balles doit être vérifié après chaque utilisation. Remplacez votre dispositif d'arrêt si la surface est usée ou endommagée, ou s'il se produit un ricochet.
- Votre fusil soft air est conçu pour le tir sur cible et peut être utilisé tant à l'intérieur qu'à l'extérieur. Rappelez-vous de toujours choisir prudemment l'emplacement de votre cible. PENSEZ à ce que vous pourriez atteindre si vous ratez la cible, ou si les balles BB ricochent.

5.2 Pour tirer

- Assurez-vous que le cran de sûreté est enclenché (Voir Étape 2.1).
- Pointez le fusil vers un ENDROIT SÛR.
- Suivez les directives de la section 4 sur le pompage du fusil soft air.
- Après avoir lu la section 5 " Comment viser et tirer en sécurité ", dégagez le cran de sûreté (OFF) et appuyez sur la détente.
- Répétez ces étapes jusqu'à ce que vous ne tiriez plus de BB plastique.
- Remplacez la sûreté en position " enclenchée " (ON).
- Retirez le magasin.

6. Comment entretenir votre fusil Soft Air

- Toute altération ou tentative de modification de votre fusil soft air, de quelque manière que ce soit, peut rendre son utilisation dangereuse et entraînera la nullité de la garantie.
- Si vous échappez votre fusil soft air, examinez-le pour voir s'il fonctionne bien avant de l'utiliser à nouveau. Si quelque chose vous semble différent, comme une détente plus courte ou plus faible, il pourrait s'agir de pièces usées ou brisées. Appelez le Service à la clientèle Crosman pour une assistance avant d'utiliser à nouveau votre fusil soft air.

7. Réviser les règles de sécurité

- Ne pointez jamais le fusil soft air vers quelqu'un. Ne pointez jamais le fusil soft air vers quelque chose que vous n'avez pas l'intention d'atteindre.
- Manipulez toujours le fusil soft air comme s'il était chargé et avec autant de prudence que vous le feriez pour une arme à feu.
- Visez toujours vers un ENDROIT SÛR. Gardez toujours la bouche du fusil soft air pointée vers un ENDROIT SÛR.
- Laissez toujours le cran de SÛRETÉ enclenché jusqu'à ce que vous soyez prêt à tirer vers un ENDROIT SÛR.
- Vérifiez toujours si le cran de SÛRETÉ du fusil soft air est enclenché et s'il est déchargé lorsque vous le recevez d'une autre personne ou le récupérez d'un entreposage.
- Ne placez jamais le doigt sur la détente ou sur le pontet tant que vous n'êtes pas prêt à tirer.
- Si vos verres de lecture ou correcteurs ne sont pas munis d'un écran protecteur, portez des lunettes de protection par dessus vos lunettes régulières.
- Utilisez seulement des balles plastique BB 6 mm.
- Ne tirez pas sur des surfaces dures ou sur la surface de l'eau. Les balles BB peuvent bondir ou ricocher en direction d'une personne ou de quelque chose que vous n'avez pas l'intention d'atteindre. S'il arrive que les balles BB frappent une surface dure, ne réutilisez pas ces balles car elles peuvent endommager votre fusil soft air.
- Remplacez le dispositif d'arrêt si la surface est usée. Placez le dispositif d'arrêt dans un endroit où la sécurité est assurée au cas où le dispositif ferait défaut.
- Ne tentez pas de démonter ou d'altérer votre fusil à air. Faites appel à un Centre de service agréé. L'utilisation de tout autre centre de réparation ou une modification de la fonction de votre fusil à air, de quelque manière que ce soit, peut être dangereuse et annuler votre garantie.
- N'entreposez pas votre fusil soft air chargé. Assurez-vous que TOUTES les balles BB aient été déchargées du fusil. (Voir Étape 3.2)
- Entreposez toujours ce fusil soft air en lieu sûr.

CARACTÉRISTIQUES:

Mécanisme:	Tir simple, Pompe à ressort	Longueur totale:	50,17 cm (19.75")
Calibre/munition:	BB plastique 6 mm	Sûreté:	Poussoir
Capacité:	jusqu'à 17 BB plastique	Vitesse:	jusqu'à 106,7 m/s (350 pi/s)
Canon:	Aluminium, âme lisse		
Poids:	1,33 kg (2,98 lb)		

RENDEMENT

Plusieurs facteurs peuvent influencer la vitesse, notamment la marque et le type de projectile, et l'état du canon.

SERVICE DE RÉPARATION

Si votre fusil soft air a besoin d'être réparé, nous vous recommandons d'appeler le Service à la clientèle Crosman Corporation au 1-800-724-7486 ou 585-657-6161 ou de visiter notre site Web à www.crosman.com. (Les clients à l'international doivent appeler leur distributeur.) N'ESSAYEZ PAS DE LE DÉMONTER ! La réparation de votre fusil à air requiert des outils et un appareillage particuliers. Tout désassemblage ou modification effectué autrement que par un Centre de service agréé entraînera la nullité de la garantie.

GARANTIE LIMITÉE DE 30 JOURS

Ce produit, vendu au détail, est garanti contre tout défaut de matériaux et de main-d'oeuvre pour une période de 30 jours à compter de la date d'achat au détail. Cette garantie est transférable. Conservez la facture originale comme preuve de la date d'achat.

CE QUI EST COUVERT

Les pièces de remplacement et la main-d'oeuvre. Les frais de transport pour le retour au consommateur du produit réparé.

CE QUI N'EST PAS COUVERT

Les frais d'envoi d'un produit à Crosman. Les dommages causés par un usage abusif ou une négligence dans l'entretien normal du produit (voir Étape 6). Toute autre dépense engagée. LES DOMMAGES INDIRECTS, LES DOMMAGES OU FRAIS ACCESSOIRES, Y COMPRIS LES DOMMAGES MATÉRIELS. CERTAINS TERRITOIRES NE PERMETTENT PAS L'EXCLUSION OU LA LIMITATION DES DOMMAGES ACCESSOIRES OU INDIRECTS. PAR CONSÉQUENT, LA CLAUSE LIMITATIVE OU EXCLUSIVE CITÉE CI-DESSUS POURRAIT NE PAS S'APPLIQUER DANS VOTRE CAS.

RÉCLAMATION AU TITRE DE LA GARANTIE

Clients aux États-Unis: Annexe au produit vos nom, adresse, numéro de téléphone, description du problème, et une copie de la facture. Emballez et retournez à Crosman Corporation, Rts. 5&20, E. Bloomfield, NY 14443. Clients au Canada: Suivez la procédure ci-dessus et expédiez à Crosman Parts & Service Depot, 611 Neal Drive, Peterborough, Ontario K9J 6X7 Canada. Clients à l'international: Veuillez retourner le produit au distributeur le plus près de chez vous. Si vous n'en connaissez aucun, appelez au (585) 657-6161 et demandez une assistance auprès de notre Service international.

GARANTIES TACITES

TOUTES GARANTIES TACITES, Y COMPRIS LES GARANTIES TACITES DE QUALITÉ MARCHANDE ET DE CONVENANCE À UN USAGE PARTICULIER, SONT LIMITÉES À UNE DURÉE D'UN (1) AN À COMPTER DE LA DATE D'ACHAT AU DÉTAIL. CERTAINS TERRITOIRES NE PERMETTENT PAS LES CLAUSES LIMITATIVES SUR LA DURÉE D'UNE GARANTIE TACITE. PAR CONSÉQUENT, LA LIMITE DE GARANTIE CITÉE CI-DESSUS POURRAIT NE PAS S'APPLIQUER DANS VOTRE CAS.

Si une disposition de cette garantie est interdite en vertu d'une loi fédérale, provinciale ou municipale, sur laquelle la disposition ne peut prévaloir, cette dernière ne serait pas applicable. Cette garantie vous confère certains droits reconnus par la loi. Vous pouvez également détenir d'autres droits qui varient d'un territoire à l'autre.