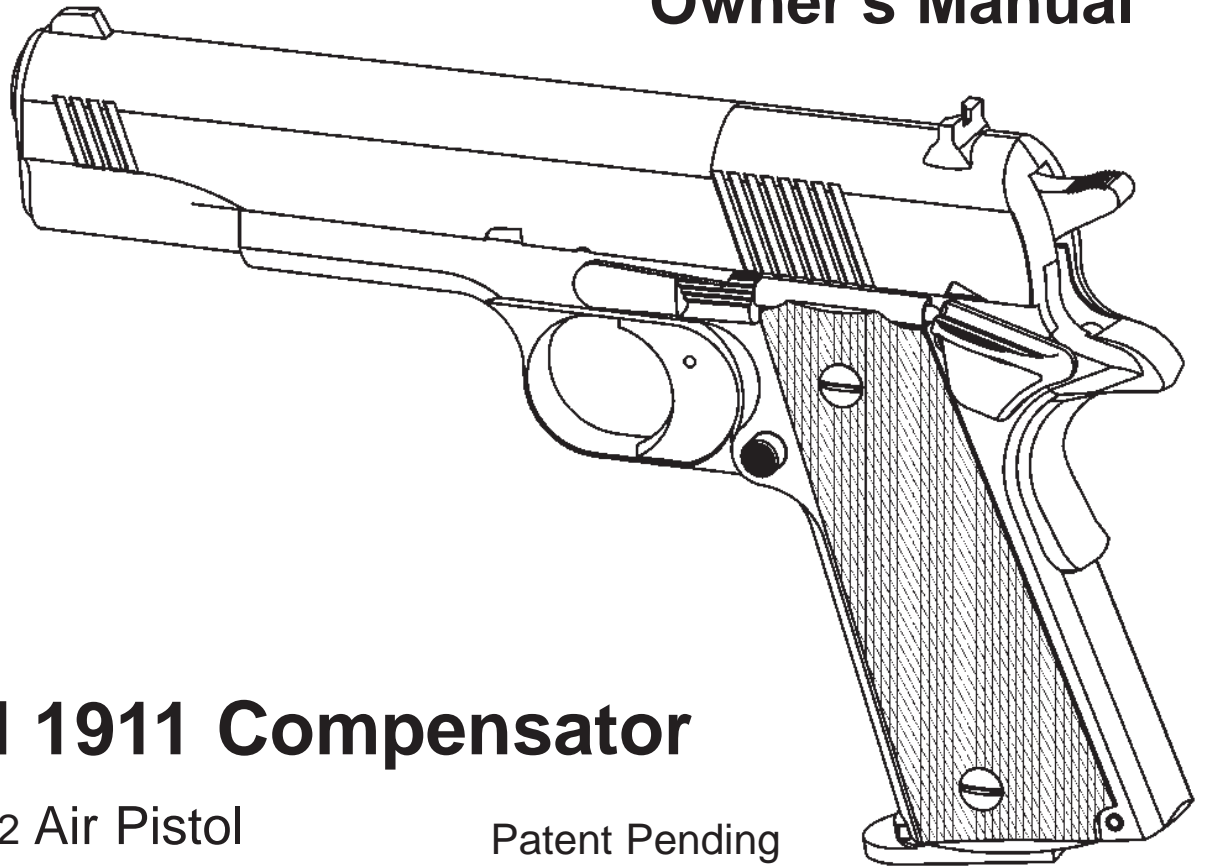


READ ALL INSTRUCTIONS AND WARNINGS IN THIS MANUAL BEFORE USING THIS AIR PISTOL.

Owner's Manual



MODEL

Government 1911 and 1911 Compensator

Caliber .177 (4.5 mm) Pellet CO₂ Air Pistol

Patent Pending

⚠ WARNING: Not a toy. Adult supervision required. Misuse or careless use may cause serious injury or death. Maybe dangerous up to 450 yards (411 meters).

YOU AND OTHERS WITH YOU SHOULD ALWAYS WEAR SHOOTING GLASSES TO PROTECT YOUR EYES. READ ALL INSTRUCTIONS BEFORE USING.
BUYER AND USER HAVE THE DUTY TO OBEY ALL LAWS ABOUT THE USE AND OWNERSHIP OF THIS AIRGUN.

THIS AIRGUN IS INTENDED FOR USE BY THOSE 16 YEARS OF AGE OR OLDER.

⚠ WARNING: Lead pellets. Do not inhale dust or put pellets in mouth. Wash hands after handling. This product contains lead, a chemical known to the State of California to cause cancer and birth defects (or other reproductive harm.)

Congratulations and thank you for purchasing the Umarex Model COLT GOVERNMENT 1911 or COLT GOVERNMENT 1911 Compensator .177 caliber (4.5mm) pellet CO2 air pistol. Please read this owner's manual completely. Remember, this air pistol is not a toy. Treat it with the same respect you would a firearm. Always carefully follow the safety instructions found in this owner's manual and keep this manual in a safe place for future use.

If you have any questions regarding your new air pistol, please contact Umarex USA Inc.

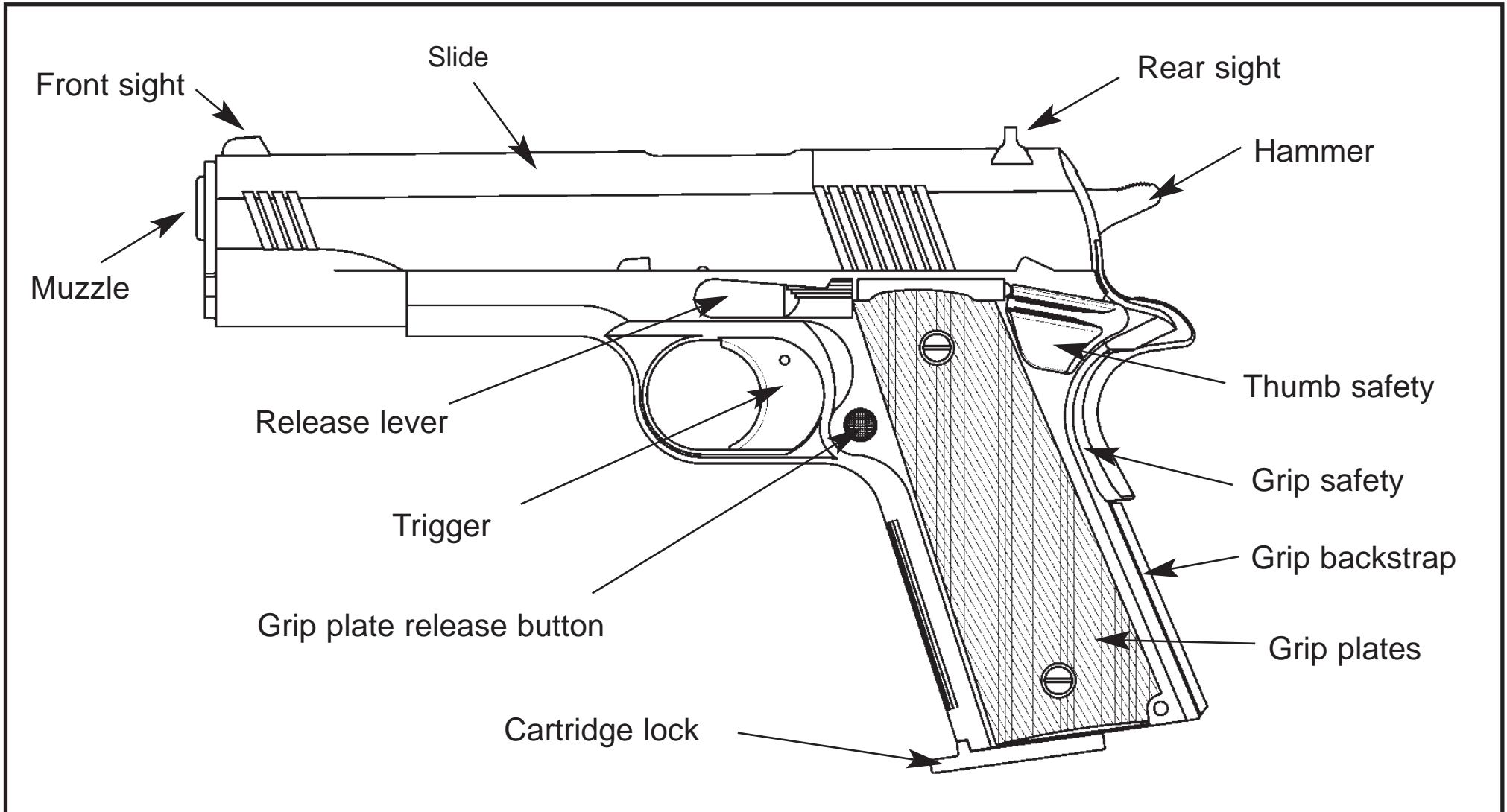
6007 South 29th Street
Fort Smith, AR 72908 USA
Phone (479) 646 - 4210
Fax (479) 646 - 4206
www.umarex-usa.com.

STEPS FOR THE SAFE SHOOTING

- Step 1. Learning the Parts of Your New CO₂ Air Pistol
- Step 2. Operating the Safety
- Step 3. Removing and Installing the CO₂ Cartridge
- Step 4. Loading and Unloading Pellets
- Step 5. Aiming and Firing Safely
- Step 6. Removing a Jammed Pellet
- Step 7. Maintaining Your Air Pistol
- Step 8. Reviewing Safety

Step 1. Learning the Parts of Your New CO2 Air Pistol

Learning the names of the parts of your new air pistol will help you to understand your owner's manual. Use this manual to increase your enjoyment of this air pistol.



Step 2. Operating the Safety

⚠ WARNING: Keep the air pistol in the "ON SAFE" position until you are actually ready to shoot. Then push the safety to the "OFF SAFE" position.

Note- this pistol has two separate safeties, a thumb safety and a grip safety.

2 A Thumb Safety

1. To Put the Air pistol "ON SAFE":

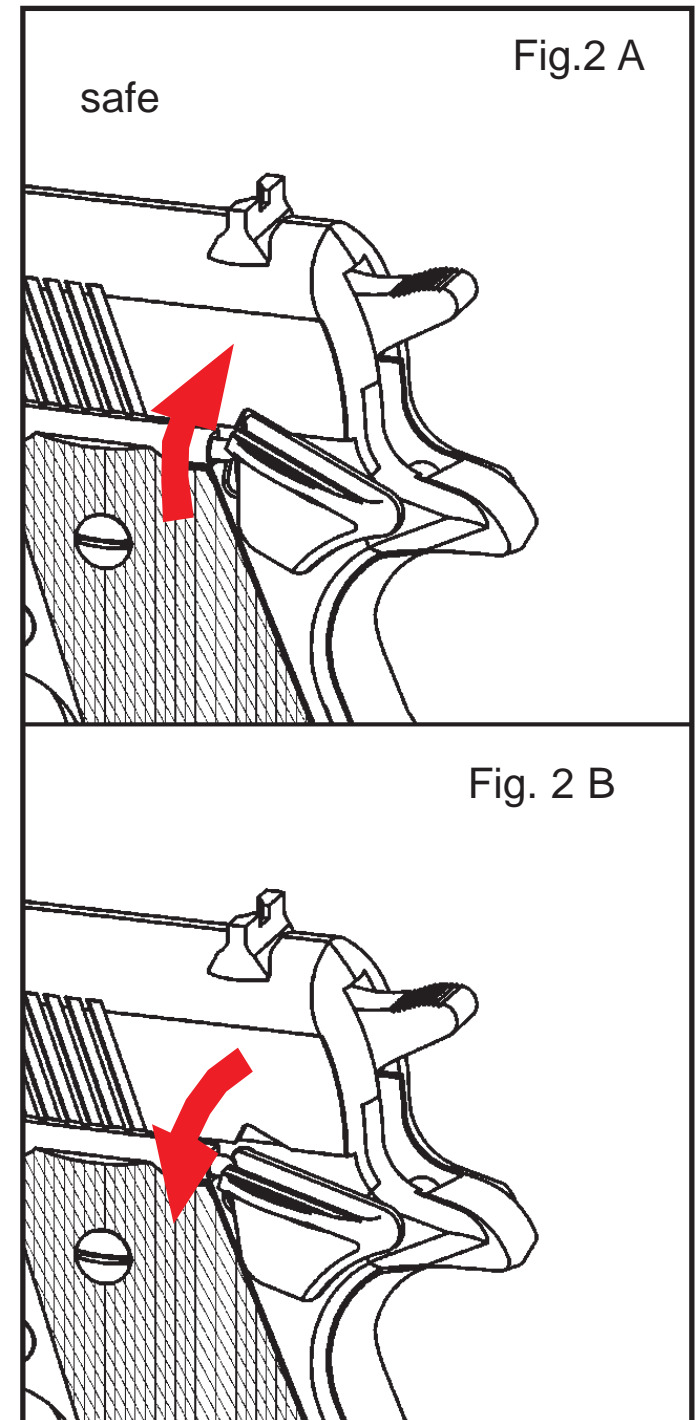
- Locate the safety directly under the rear sight (Fig. 2A).
- Move the safety lever to the upper position (S) to cover the RED indicator as shown.

The safety is not "On Safe" unless the RED indicator near the safety is **not** showing.

Even when the safety is "On Safe", you should continue to handle the air pistol safely. Do not ever point the air pistol at any person. Do not ever point the air pistol at anything you do not intend to shoot.

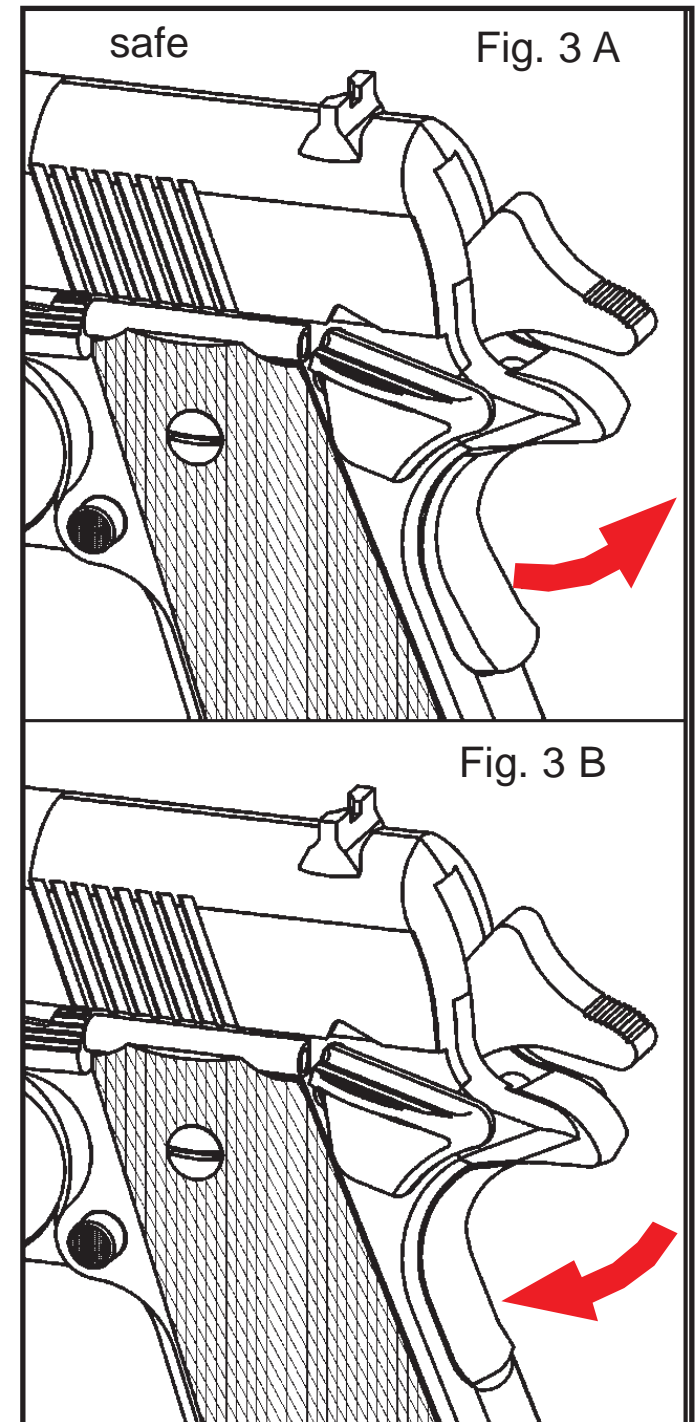
2. To Take The Air Pistol "OFF SAFE":

- Push the safety down exposing the RED indicator as shown in Figure 2B.
- The air pistol is ready to fire when "Off Safe". When you can see the RED indicator near the safety, the air pistol is "Off Safe" and can be fired.



2 B Using the grip safety

- The grip safety is normally engaged, and must be disengaged to fire. (Fig. 3A)
- To disengage the grip safety it is necessary to firmly grasp the butt. The pistol can now be fired (Fig. 3B). When the butt is released the safety automatically returns to the engaged position.



Step 3. Removing and Installing the CO2 Cartridge

⚠ WARNING: CO2 cylinders may explode at temperatures above 120° F (48.9° C). Do not mutilate or incinerate them. Do not expose them to heat or store CO2 cylinders at temperatures above 120° F (48.9° C).

⚠ WARNING: Keep hands away from escaping CO2 gas. It can cause frostbite if allowed to come in contact with skin.

NOTE: We recommend the use of Umarex CO2 cartridges.

They are made to fit your air pistol. Other brands of CO2 cartridges may not fit properly and if you force them into place it may result in injury to you or damage to your air pistol. Never try to force any CO2 cartridge into or out of place. Do not store your air pistol with a CO2 cartridge in it. (This is very important to remember, as it will prolong the longevity of your air pistol seals.) If you know you will not be using your air pistol again within 24 hours, remove the CO2 cartridge from the air pistol, as explained in **Step 3B** below.

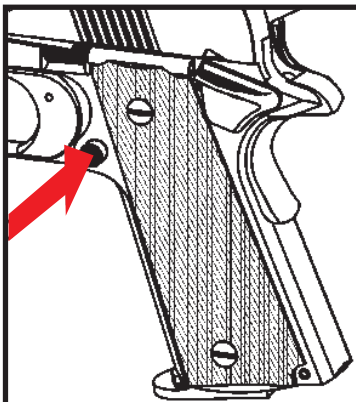


Fig. 4 A

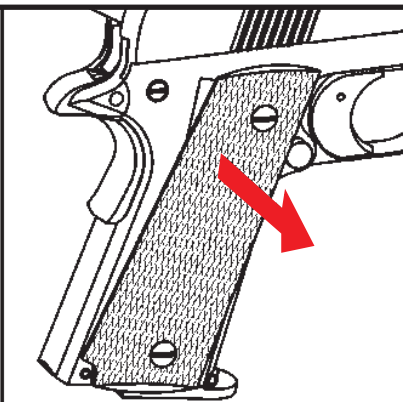


Fig. 4 B

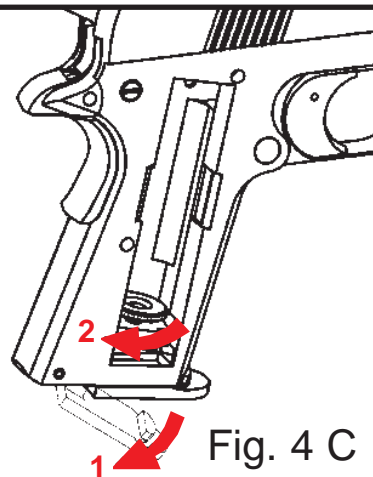


Fig. 4 C

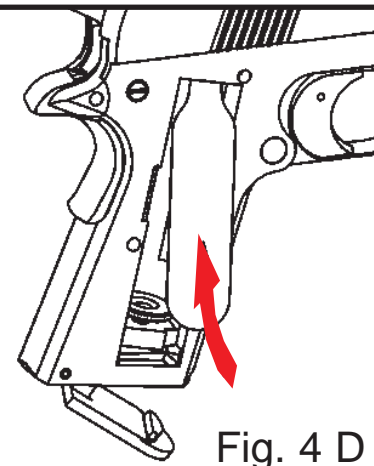


Fig. 4 D

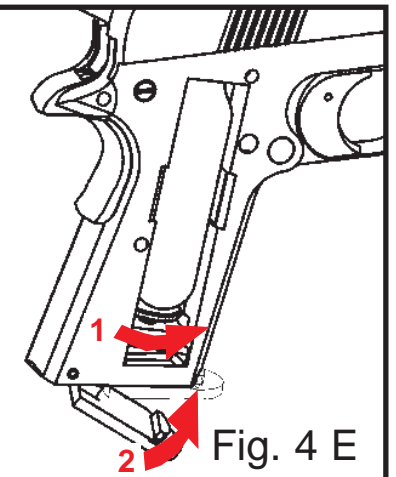


Fig. 4 E

A. Installing the CO₂ Cartridge

- Make sure the air pistol is "On Safe" (See **Step 2A**).
- Push the grip plate release button on the left side to remove the grip. (see Fig.4A) Swing the CO₂ cylinder lock downward and loosen the cylinder screw by turning it clockwise. (Fig.4B and 4C)
- Insert a new CO₂ cartridge into the air pistol with the small neck of the cartridge pointing up toward the piercing assembly (Fig. 4D).
- Tighten the cylinder screw by turning it counterclockwise until it gently moves the CO₂ cartridge up into position. Do not over tighten it as this could damage the cartridge seal.
- Close the cylinder lock by swinging it upward. This will pierce the CO₂ cartridge (Fig 4E).
- Carefully press the grip back into place.
- Point the air pistol in a SAFE DIRECTION, take "Off Safe" (See Step 2B) push in the grip safety, and pull the trigger. **If the air pistol does not make a popping noise after pulling the trigger, the CO₂ is not being discharged.** In that event, you will have to remove the grip, swing the cylinder lock downward and tighten the cylinder screw a little more by turning it counterclockwise. Then close the cylinder lock, replace the grip and test it again. Once there is a popping noise, the air pistol is releasing CO₂ with each pull of the trigger.
- Return the safety to the "On Safe" position (See **Step 2A**).

B. Removing the CO₂ Cartridge

- Put the air pistol "On Safe" (See **Step 2A**).
- Make sure the air pistol is unloaded (See **Step 4B**).
- Point the air pistol in a SAFE DIRECTION.
- Swing the CO₂ cylinder lock downward carefully to allow any remaining CO₂ gas to escape.
Important: Be sure to keep your hands and face away from escaping CO₂.
- Push the grip release button on the left side to remove the right grip. (see Fig.4A)
- Loosen the cylinder screw by turning it clockwise until it stops.
- Remove the empty CO₂ cartridge by turning the air pistol over and shaking it to let the CO₂ cartridge fall out. The CO₂ cartridge may be cold. Avoid prolonged contact with the CO₂ cartridge if it is very cold.
- Close the cylinder lock by swinging it upward. Press the right grip cover back into place.

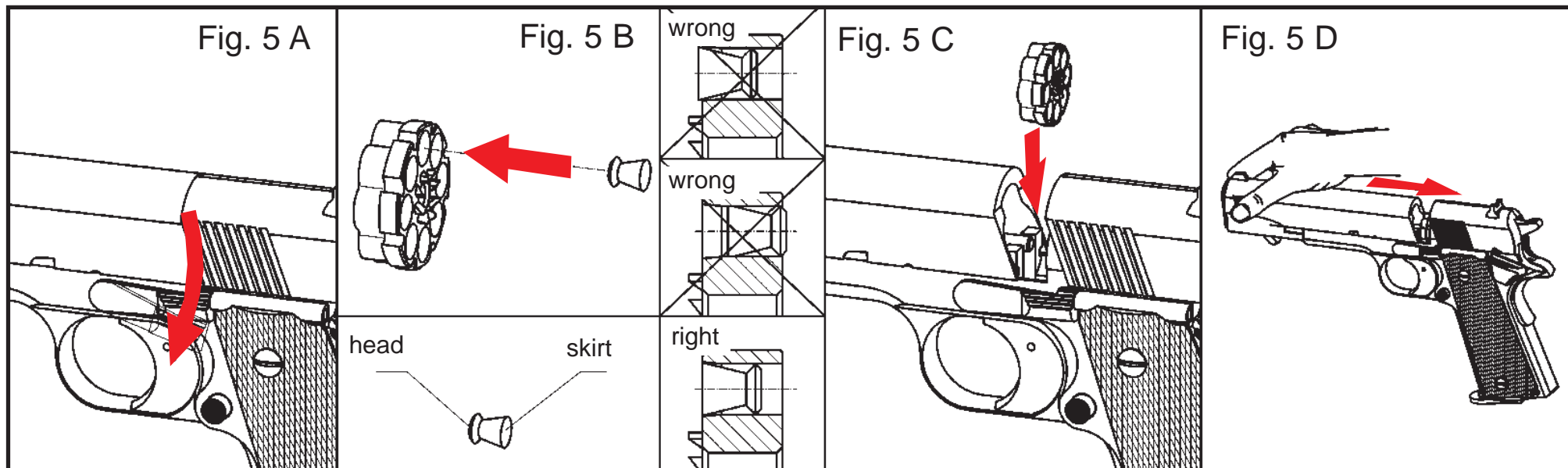
Step 4. Loading and Unloading Pellets

⚠ WARNING: Use only .177 (4.5mm) caliber pellets in your COLT GOVERNMENT 1911 and 1911 COMPENSATOR. Use of any other ammunition can cause injury to you or damage to the air pistol. Never reuse pellets.

⚠ WARNING: Never place your hand or fingers over the muzzle. When opening or closing the slide make sure your air pistol is pointing in a SAFE DIRECTION, and keep your finger off the trigger. Failure to follow these warnings may cause serious injury.

A. Loading Pellets

- Make sure the air pistol is "On Safe." (See **Step 2A**)
- Point the air pistol in a SAFE DIRECTION.
- Open the slide by pushing the release lever downward to the position shown in Figure 5A.
- Remove the pellet clip and load the pellets head first (see Fig. 5B and 5C) into the clip insuring that each pellet is completely inserted.
- **IMPORTANT:** To avoid jams or deforming the pellets, make sure the pellet skirt is level or slightly below the rim of the pellet chamber.
- Place the pellet clip back in the pistol with the ratchet teeth facing rearward. (see Fig. 5C)
- Grip the slide from the top (see Fig. 5D) and move it rearward to the closed position.
- **IMPORTANT:** **Never put any part of your hand over the muzzle; grip only the top and sides of the slide.**



B. Unloading the Pellets

- Put air pistol "On Safe" (See **Step 2A**). Point the air pistol in a SAFE DIRECTION.
- Open the slide by pushing the release lever downward (see Fig. 5A).
- Remove the pellet clip. Using a ramrod, gently push each pellet out of the pellet chamber.
IMPORTANT: Never use sharp metal tools to remove pellets.
- Replace the empty pellet clip with the ratchet teeth facing rearward. (See Fig. 5C).
- Grip the slide from the top and move it rearward to the closed position.
- **IMPORTANT: Never put any part of your hand over the muzzle; grip only the top and sides of the slide.**
- Check to make sure the barrel is completely unloaded. Point the muzzle in a SAFE DIRECTION, take "Off Safe," (see **Step 2B**) cock the hammer and squeeze the trigger to fire.
- You may also unload your air pistol by following the directions listed under Step 6 - Removing a Jammed Pellet.

Step 5. Aiming and Firing Safely

A. Aiming and Firing the Air Pistol

- You and others with you should always wear shooting glasses to protect your eyes.
- Always aim your air pistol in a SAFE DIRECTION. When you are sure of your target and backstop, and the area around the target is clear, take the air pistol "Off Safe" (See Step 2B), push in the grip safety and squeeze the trigger to fire "Double Action" or cock the hammer and squeeze the trigger to fire "Single Action."
- NOTE: This air pistol will function in either "Double Action" or "Single Action" mode. To fire in "Double Action", apply steady pressure to the trigger until the pistol fires. To fire in "Single Action" mode, pull back the hammer and squeeze the trigger. For rapid-fire shooting, we recommend the "Double Action" mode, for more precise shooting we recommend the "Single Action" mode. To de-cock the hammer, put the air pistol "Off Safe," point the air pistol in a SAFE DIRECTION, place your thumb on the hammer and pull the trigger as you slowly guide the hammer back into the upward position, then release the trigger.
- Do not shoot at hard surfaces or at the surface of water. The pellet may bounce off or ricochet and hit someone or something you had not intended to hit.
- Always choose your target carefully. It is best to shoot at paper bull's-eye targets which are attached to a safe backstop. A heavy blanket should be hung behind the backstop to prevent ricochet should you miss the backstop.
- Your backstop should be checked for wear before and after each use. Replace your backstop if the surface is worn or damaged or if a ricochet occurs.
- Your air pistol is designed for target shooting and is suited for both indoor and outdoor use. Always remember to place your target carefully. THINK about what you will hit if you miss the target.
- The air pistol is correctly aimed when the front sight blade is positioned exactly in the notch of the rear sight. The top of the front sight blade should be even with the top of the notch in the rear sight. The bull's-eye should appear to rest on the top of the front sight (Fig. 6).

B. Adjusting the rear sight

You can adjust the rear sight for windage by moving it sideways. To do this you must first loosen the rear sight using the small hex key supplied with the pistol (Fig. 7A).

Adjust the windage as shown in Fig. 7B:

If your pistol is shooting to the right: Move the rear sight to the left.

If your pistol is shooting to the left: Move the rear sight to the right.

Then tighten the rear sight screw once again (Fig. 7C).

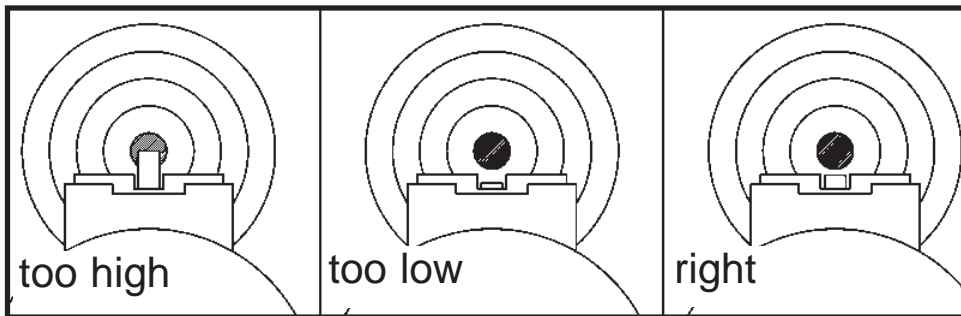


Fig. 6

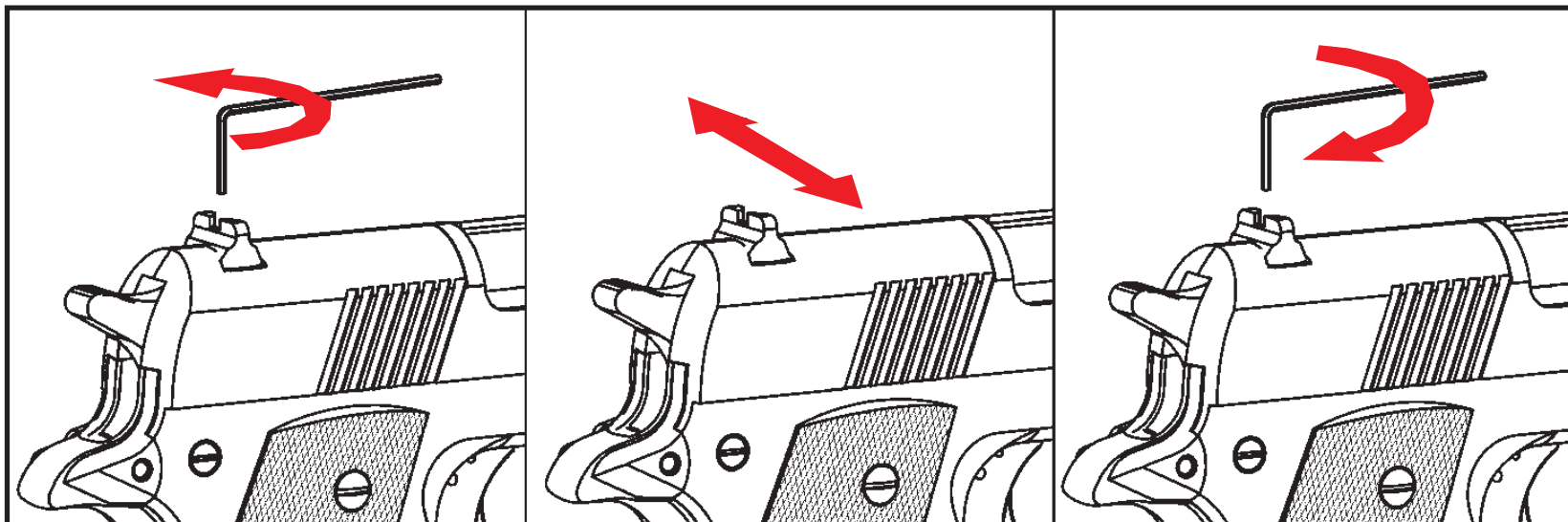


Fig. 7

Step 6. Removing A Jammed Pellet

IMPORTANT: The fact that the air pistol does not fire a projectile is never a reason to assume that the air-gun is not loaded. Make sure that there is no pellet jammed between the pellet clip and the barrel.

- Follow the instructions under Step 4B -Unloading the Pellets.
- If the jam is in the barrel, remove the pellet clip (See **Step 4B**) insert a ramrod of the proper size into the muzzle end of the barrel and carefully push the jammed pellet into the breech. **The barrel could be damaged if the proper sized ramrod is not used.**
- Once you have pushed the pellet back into the breech, shake the air pistol until the jammed pellet falls out. Do not try to reuse that pellet.
- If you are not able to unjam your air pistol by following the unloading procedure, take no further action. Umarex USA or an Authorized Service Station will unjam your air pistol (no cost during the warranty period).

Step 7. Maintaining Your Air pistol

IMPORTANT: Before you attempt to oil your air pistol, always make sure the CO₂ cylinder and pellet clip are removed and you have checked the barrel to make sure there are no pellets left in it (See Steps **3A & 4B**).

- Your air pistol will maintain proper function for a long time if you oil the CO₂ cylinder lock hinge, slide and pellet clip release lever with 2-3 drops of lubricating oil after you have fired approximately 250 shots. **DO NOT** use a petroleum distillate based oil or solvent and **DO NOT** over-oil because this can cause damage to your air pistol.
- Your air pistol will work best if you put just a drop of oil directly on the tip of the CO₂ Cartridge before inserting. **DO NOT** use a petroleum distillate based oil or solvent and **DO NOT** over -oil as this can cause damage to your air pistol.
- Tampering with the air pistol or attempts to change the air pistol in any way may make it unsafe to use and will void the warranty.
- If you drop your air pistol, check to see that it works properly before you use it again. If anything seems changed, like a shorter or weaker trigger pull, this may mean worn out or broken parts. **Call Customer Service at Umarex USA for assistance before using your air pistol again.**

Step 8. Reviewing Safety

- Do not ever point the air pistol at any person. Do not ever point the air pistol at anything you do not intend to shoot.
- Always treat the air pistol as though it is loaded and with the same respect, you would a firearm.
- Always aim in a SAFE DIRECTION. Always keep the muzzle of the air pistol pointed in a SAFE DIRECTION.
- Always keep the air pistol "On Safe" until you are ready to shoot in a SAFE DIRECTION.
- Always check to see if the air pistol is "On Safe" and unloaded when getting it from another person or from storage.
- Always keep your finger off the trigger and out of the trigger guard until ready to shoot.
- You and others with you should always wear shooting glasses to protect your eyes.
- Keep hands and face away from escaping CO₂ gas. It can cause frostbite if allowed to come in contact with skin.
- Use .177 caliber (4.5 mm) pellets only. Never reuse pellets.
- Do not shoot at hard surfaces or at the surface of water. The pellet may bounce off or ricochet and hit someone or something you had not intended to hit.
- Replace the backstop if it becomes worn. All backstops are subject to wear and will eventually fail. Replace your backstop if the surface is worn or damaged or if a ricochet occurs.
- Place the backstop in a location that will be safe should the backstop fail.
- Do not attempt to disassemble or tamper with your air pistol. Use an Authorized Service Station or return it to the factory for repair.
- Do not put the air pistol away loaded or charged with CO₂. Make sure **ALL** of the pellets are unloaded from the air pistol. (See Step **3A and 4B**).

SPECIFICATIONS

Mechanism:

Caliber/Ammunition:

Weight:

Length:

Barrel length:

Barrel:

Sights:

Power source

Safety:

Velocity:

Colt Government 1911 A1/ Compensator

CO₂ Pistol

.177 cal (4.5 mm) Lead Airgun Pellet 

38 oz (1080g) / 40.5 oz (2250g)

9" (220 mm) / 10" (225 mm)

5" (122.4mm)

Rifled Steel

Rear: Adjustable for Windage

Front: Fixed blade

12 gram CO₂ cartridge

Thumb safety,

Grip Safety

Up to 425 fps (130m/sec)

PERFORMANCE

Many factors affect velocity, including brand of projectile, type of projectile, amount of CO₂ in cylinders, lubrication, barrel condition and temperature.

REPAIR SERVICE

If your air pistol needs repair, we recommend that you take or send it to an Authorized Service Station or Umarex USA. **For an Authorized Service Station near you, visit our web site at www.umarex-usa.com or call Customer Service at (479) 646 - 4210. International customers should contact their distributor.** DO NOT ATTEMPT TO DISASSEMBLE IT! Your air pistol requires special tools and fixtures to repair it. If you take it apart, you probably will not be able to reassemble it correctly. Umarex USA assumes no warranty responsibility under such circumstances.

LIMITED ONE YEAR WARRANTY

This product is warranted to the retail consumer for one year from date of retail purchase against defects in material and workmanship and is transferable. To register the serial number, located on the barrel of your gun, please return the Product Registration form found in your owner's manual packet. The warranty is not conditioned on the return of the card.

WHAT IS COVERED

Replacement parts and labor. Transportation charges to consumer for repaired product.

WHAT IS NOT COVERED

Transportation charges to Umarex USA or an Authorized Service Station for defective product. Damages caused by abuse or failure to perform normal maintenance. Any other expense. **CONSEQUENTIAL DAMAGES, INCIDENTAL DAMAGES, OR INCIDENTAL EXPENSES, INCLUDING DAMAGE TO PROPERTY. SOME STATES DO NOT ALLOW THE EXCLUSION OR LIMITATION OF INCIDENTAL OR CONSEQUENTIAL DAMAGES, SO THE ABOVE LIMITATION OR EXCLUSION MAY NOT APPLY TO YOU.**

WARRANTY CLAIMS

Warranty Claims for U.S. and Canadian Customers:

Please return product to your nearest distributor. If you do not know your distributor, please visit **www.umarex-usa.com** and click on "warranty and repair service" or call (479) 646 - 4210 and ask for our assistance.

IMPLIED WARRANTIES

ANY IMPLIED WARRANTIES, INCLUDING THE IMPLIED WARRANTIES OF MERCHANTABILITY AND FITNESS FOR A PARTICULAR PURPOSE, ARE LIMITED IN DURATION TO ONE YEAR FROM DATE OF RETAIL PURCHASE. SOME STATES DO NOT ALLOW LIMITATIONS ON HOW LONG AN IMPLIED WARRANTY LASTS, SO THE ABOVE LIMITATIONS MAY NOT APPLY TO YOU.

To the extent any provision of this warranty is prohibited by federal, state, or municipal law which cannot be preempted, it shall not be applicable. This warranty gives you specific legal rights, and you may also have other rights which vary from state to state and country to country.

Problems

Problem	POSSIBLE CAUSE	Safety is on	Empty CO ₂ cylinder	Dirty barrel	Defective CO ₂ cylinder	Extreme temperatures	Wrong ammunition	Pellets loaded upside down	Slide not properly closed and locked	Incorrect sight adjustment
Inferior accuracy		●	●		●	●	●		●	
Air pistol does not fire	●	●		●		●	●	●		
Low velocity		●	●		●	●	●			

Distributed by

Umarex USA Inc.
 6007 South 29th Street
 Fort Smith, AR 72908 USA
 Phone (479) 646 - 4210
 Fax (479) 646 - 4206
www.umarex-usa.com