

# IZH 53M air pistol owner's manual



18370 S. Miles Rd  
Warrensville Heights, OH 44128  
216-220-1180

Record the serial  
number of your airgun.....

## BASIC SAFETY RULES

1. Never point your airgun at anyone or allow anyone to point an airgun at you, even if you know it is not loaded.
2. Treat your airgun as if it's loaded, even if you know it's unloaded.
3. Aim your airgun in a safe direction.
4. Keep the muzzle of your airgun pointed in a safe direction.
5. Carry your airgun so the direction of the muzzle is under control, even if you stumble.
6. Keep your airgun unloaded until you are ready to shoot.
7. Check your airgun to make sure it's unloaded when you get it from another person or from storage.
8. Keep your finger off the trigger unless you are ready to shoot.
9. Everyone in the vicinity should wear safety glasses when an airgun is being used, shot or loaded.
10. You and others with you should always wear safety glasses to protect your eyes. If your reading or prescription glasses are not safety glasses, wear safety glasses over your other glasses.
11. This airgun does not have a safety. YOU are the ultimate safety for your gun.
12. Use .177-caliber (4.5 mm) pellets only.
13. Never reuse ammunition.
14. Never leave a loaded airgun unattended.
15. Do not shoot at hard surfaces or at the surface of water. The pellet may bounce off or ricochet and hit someone or something you had not intended to hit.
16. Place the backstop in a location that will be safe should the backstop fail.
17. Be sure of your target and what lies behind it before firing your airgun. Know what you will hit if you miss your target.
18. Your backstop should be checked for wear before and after each use. All backstops are subject to wear and will eventually fail. Replace your backstop if the surface is worn or damaged or if a ricochet occurs.
19. Do not attempt to disassemble or tamper with your airgun. Use an authorized repair center. Using unauthorized repair centers or modifying the function of your airgun in any way may be unsafe and will void your warranty.
20. Before you store your airgun, make sure that it is unloaded.

---

*Illustrations and photographs are for information purposes only  
and may not show the exact model purchased.*



## **Follow the warnings and safety procedures shown here and throughout this manual.**

Not a toy. Adult supervision required. This airgun is intended for use by those 18 years of age or older. Misuse or careless use may cause serious injury or death. May be dangerous up to 500 yards.

Do not use this airgun until you have read and understood this owner's manual.

Do not inhale dust from lead pellets or put lead pellets in the mouth. Wash hands after handling lead. Lead pellets contain lead, a chemical known to the State of California to cause cancer and birth defects (or other reproductive harm).

Use the correct pellet size for your airgun. Never reuse pellets. The use of any other kind of ammunition can cause injury to you or damage to your airgun.

Keep your finger off the trigger while cocking your airgun. When you are sure of your target and backstop and the area around the target is clear, you may take your airgun off SAFE and squeeze the trigger to fire. Always keep your airgun on SAFE until you're ready to shoot.

Remember to place your target carefully and THINK about what you will hit if you miss the target.

Do not assume your airgun is unloaded if it fails to fire properly!

Never leave your airgun loaded. Always treat an airgun as if it is loaded, even if you think it is not. Always transport your airgun unloaded and in a hard case.

Never point an airgun at another person or in an unsafe direction.

This airgun does not have a safety. YOU are the ultimate safety for your gun.

You and others with you should always wear safety glasses to protect your eyes.

Do not shoot at hard surfaces or at the surface of water. The pellet may bounce or ricochet and hit someone or something you did not intend to hit.

Always choose your target carefully. It is best to shoot at paper targets attached to a safe backstop or a trap intended to safely stop and/or capture airgun ammunition. Your backstop should be checked for wear before and after use. Replace your backstop if the surface is worn or damaged or if a ricochet occurs.

Do not disassemble, tamper with or attempt to repair or modify your airgun. Doing so may void your warranty and may result in injury. Contact Air Venturi at 216-220-1180 for repair.

In the unlikely event your airgun malfunctions or exhibits reduced performance, DO NOT attempt to fix the problem yourself. Call Air Venturi at 216-220-1180 so we can address any issues or have you return your airgun for repair.

Children are attracted to and can operate guns that can cause severe injuries or death. Prevent child access by always keeping guns locked away and unloaded when not in use. If you keep a loaded gun where a child obtains and improperly uses it, you may be fined or sent to prison.

The IZH 53M is a single-shot, spring-piston air pistol and is ambidextrous. The gun is intended for plinking and target use.

### COCKING & LOADING

Grab the pistol's grip with your dominant hand. (A) Keep your hands away from the breech and the trigger during the cocking sequence.

With your off hand, grab the barrel near the front sight and push the barrel down and back toward the grip. You will notice a clicking sound. Once the clicking stops, the gun should be fully cocked and the mainspring fully compressed. (A & B)

To load the pistol, put a .177-caliber pellet into the loading port. (C) Load the pellet so the head or nose goes in first.

After loading the pellet, grab the barrel near the front sight and swing the barrel back to the starting position. (D) Do not force it or slam it back into position. Doing so may damage your gun and void the warranty.

**Never fire the gun without a pellet in the loading port. Never pull the trigger when the barrel is open. If you do fire the gun without a pellet or fire it when the barrel is not fully closed and secured, you will damage your gun and void the warranty.**

**There is no safety on this pistol. YOU are the safety! Keep your fingers away from the trigger during the cocking and loading sequence. Be careful not to bump, hit or jar the barrel while loading the pellet. Serious injury can result if the barrel snaps shut due to careless handling when the barrel is broken open and your fingers are near the loading port.**



## FIRING

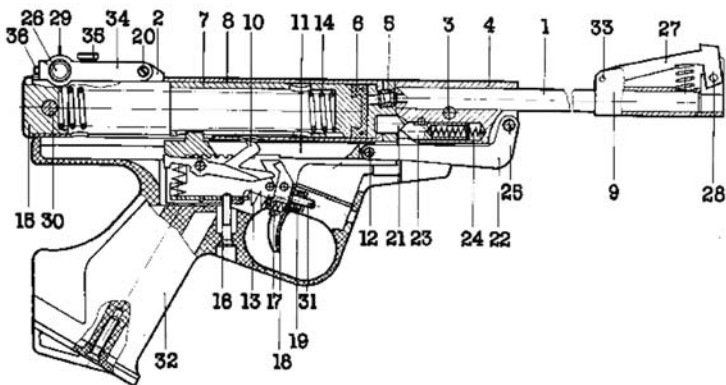
After cocking and loading as shown earlier, point the airgun in a safe direction and squeeze the trigger. The pellet will discharge. To fire another pellet, follow the cocking and loading procedure shown earlier. In storage, leave the gun uncocked and unloaded.

## ADJUSTING SIGHTS & TRIGGER

The sights are made of steel. The front sight is fixed, and the rear sight is adjustable for windage and elevation.

For trigger adjustments, refer to the graphic shown below. Screw No. 31 adjusts trigger travel. Access this screw by inserting a screwdriver through the hole in the triggerguard. Turn the screw clockwise to decrease travel and counterclockwise to increase it.

### Various parts of the IZH 53M air pistol



- |                           |                              |                                     |
|---------------------------|------------------------------|-------------------------------------|
| 1. barrel                 | 14. mainspring               | 27. front sight                     |
| 2. rear sight             | 15. end cap                  | 28. front sight pin                 |
| 3. barrel pivot           | 16. trigger adjustment screw | 29. sight leaf                      |
| 4. barrel sleeve          | 17. trigger sear             | 30. pin                             |
| 5. breech seal            | 18. trigger blade            | 31. trigger travel adjustment screw |
| 6. piston seal            | 19. bushing                  | 32. grip                            |
| 7. piston                 | 20. screw                    | 33. front sight pin                 |
| 8. receiver               | 21. latch stop               | 34. rear sight frame                |
| 9. front sight assembly   | 22. cocking lever            | 35. adjustment screw                |
| 10. sear                  | 23. detent                   | 36. screw                           |
| 11. cocking lever link    | 24. detent spring            |                                     |
| 12. pin                   | 25. cocking lever pivot      |                                     |
| 13. trigger return spring | 26. screw                    |                                     |

## **MAINTENANCE**

Before doing any maintenance on your airgun, make sure it's unloaded.

Regularly lubricate the air compression chamber and the seal. Put 3 drops of special light oil into the loading port that leads into the compression chamber. Oil the airgun after every 2,000 shots. Do not over-oil the gun.

To lubricate the mainspring, remove the grip. Turn over the action and apply 6-10 drops of a light oil directly onto the spring. Reattach the grip. The mainspring should be oiled every 3,000 to 5,000 shots or every six months.

The cocking lever link and barrel pivot should also be lubricated with light oil every six months.

Do not use firearm cleaners or low-flashpoint oils in the air compression chamber or near the transfer port and breech seal to avoid damaging your airgun.

**If you feel additional maintenance is required,  
contact Air Venturi at 216-220-1180.**

# Warranty registration

Your IZH airgun is manufactured to the highest standards, using the finest materials to give a lifetime of service. In the unlikely event there are any defects in materials or workmanship in the first twelve (12) months after retail purchase, we will repair or replace your airgun under warranty. Keep your original purchase receipt.

What is covered: Replacement parts and labor. Transportation charges to consumer for return of repaired product.

The warranty will be invalid if:

- The airgun has been disassembled and incorrectly reassembled.
- The airgun is found to have lubrication not recommended by Air Venturi.
- The airgun has been fitted with non-Air Venturi parts.
- The airgun has been misused or abused.
- The warranty card was not returned within 30 days of retail purchase and/or the original purchase receipt cannot be presented.

The warranty does NOT cover:

- O-rings, screws, seals, springs or stocks.
- Any damages or faults caused by owner misuse or action.
- Shipment damage of the airgun to or from Air Venturi.
- Transportation charges to Air Venturi for defective products.
- Damages caused by abuse or failure to perform normal maintenance.
- Parts subject to normal wear and tear.
- Consequential damages, incidental damages or incidental expenses including damage to property.
- Any other expense.

Note: Some states do not allow the exclusion or limitation of incidental or consequential damages, so the above limitation or exclusion may not apply to you.

This warranty is in addition to your statutory rights. To register your warranty, the card below must be completed and returned to Air Venturi within 30 days of purchase. Retain your sales receipt as proof of purchase.

Warranty claims: Warranty claims for U.S. and Canadian Customers: Warranty card must be completed and mailed to Air Venturi within 28 days of purchase. Call Air Venturi at 216-220-1180 before returning any product.

Implied warranties: Any implied warranties, including the implied warranties of merchantability and fitness for a particular purpose, are limited in duration to one year from date of retail purchase.

Note: Some states do not allow limitations on how long an implied warranty lasts, so the above limitation may not apply to you.

To the extent any provision of this warranty is prohibited by federal, state or municipal law which cannot be preempted, it shall not be applicable. This warranty gives you specific legal rights, and you may also have other rights which vary from state to state and country to country.

Complete this warranty card and mail to Air Venturi, 18370 S. Miles Rd., Warrensville Hgts., OH 44128.

---

## Warranty card for IZH-Baikal 53M air pistol

Serial number:.....Date of purchase:.....

Caliber:.....Where purchased:.....

Your name: .....

Your address: .....

.....

Your phone: .....



18370 S. Miles Rd  
Warrensville Heights, OH 44128  
216-220-1180

*Copyright ©2011 Air Venturi, Inc.*

*Version 5/2011*